



Everyvalve Ltd

Tel : 01707-642018

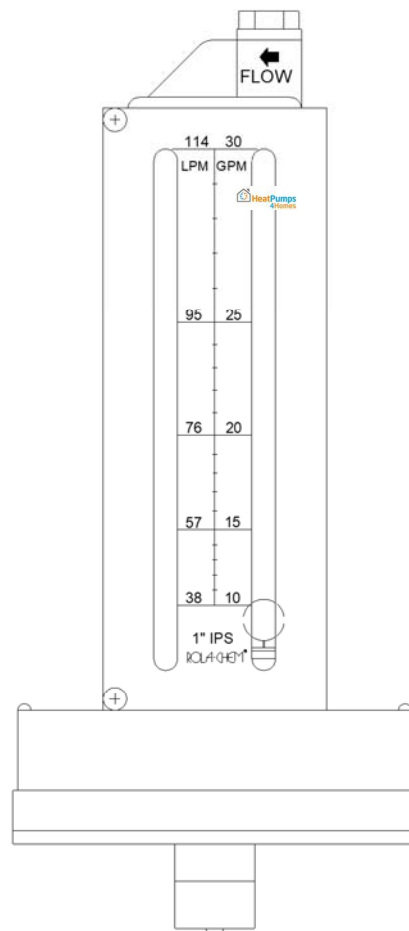
Fax : 01707-646340

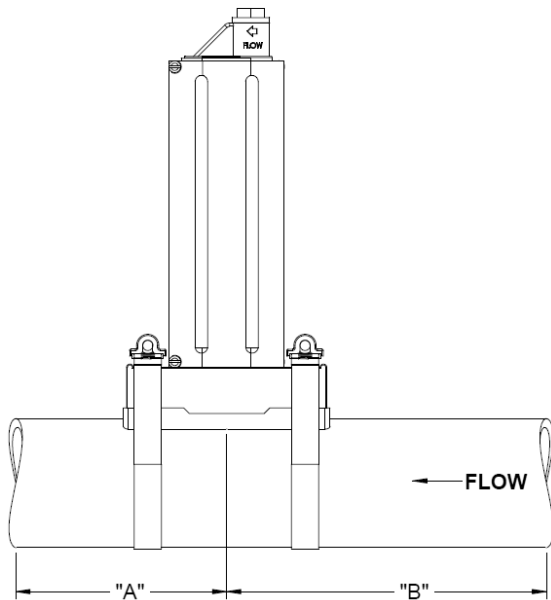
E-mail: Sales@everyvalve.com

W : www.everyvalve.com

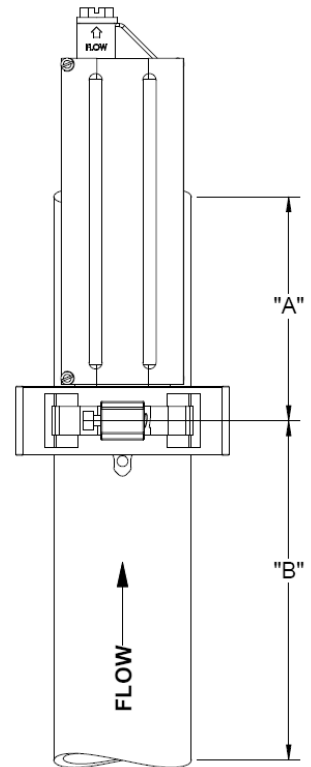
MODEL 570

Flowmeter

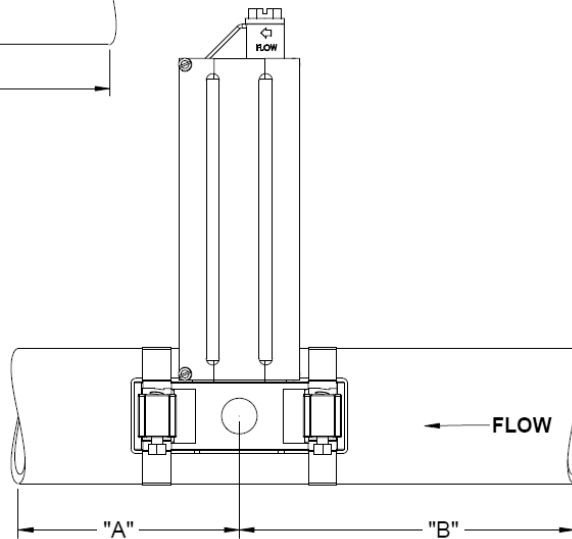




TOP MOUNT



VERTICAL



SIDE MOUNT

MODEL NO.	PIPE MATERIAL	PIPE SIZE	"A" MIN.	"B" MIN.	RANGE GPM	RANGE LPM	CLAMP SIZE
570321	PVC-GALV	1"	5"	10"	10-30	38-114	40
570331	PVC-GALV	1 - 1/4 "	6"	11"	15-50	57-189	44
570340	COPPER	1 - 1/2"	8"	15"	20-55	76-208	44
570341	PVC-GALV	1 - 1/2"	8"	15"	25-60	95-227	44
570350	COPPER	2"	10"	20"	40-140	151-530	56
570351	PVC-GALV	2"	10"	20"	40-140	151-530	56
570360	COPPER	2 - 1/2"	13"	25"	70-245	265-927	64
570361	PVC-GALV	2 - 1/2"	13"	25"	70-240	265-908	64
570370	COPPER	3"	15"	30"	100-280	379-1060	64
570371	PVC-GALV	3"	15"	30"	100-300	379-1136	64
570380	COPPER	4"	20"	40"	200-480	757-1816	44 (2)
570381	PVC-GALV	4"	20"	40"	175-500	662-1893	44 (2)
570391	PVC-GALV	6"	30"	60"	400-1050	1514-3975	64 (2)
570401	PVC-GALV	8"	40"	80"	700-1900	2650-7192	72 (2)

INSTALLATION INSTRUCTIONS (see illustrations following):

New installations:

For **top and side mount** models:

Drill a 3/4" diameter hole through one wall of the pipe.

For **vertical mount** models:

Drill a 13/16" diameter hole through one wall of the pipe.

The hole should be in centered in the pipe.

See chart for minimum location dimensions of the flowmeter from any pipe turns or internal pipe obstructions.

For replacement flowmeters:

Make sure the mounting hole in the pipe is 3/4" diameter for top or side mount models or **13/16" diameter for vertical models**. Re-drilling may be necessary.

For all models except vertical mount on PVC pipe, the black rubber gasket is mounted on the stem of the flowmeter.

For vertical mount on PVC pipe confirm that both Gaskets are fully inserted into both sides of the Curved Spacer before attaching assembly to pipe. Rotate Curved Spacer to align curved face of Spacer to pipe.

Insert the stem into the pipe hole. Strap the flowmeter in place using the supplied hose clamps. Use double-length clamps, (2 clamps threaded together) on large diameter pipe (4", 6", and 8" flowmeters). Flowmeter water tubes should be as vertical as possible.

Read the flow on the scale of the side plate at the center of the ball.

Note: Scale readings are based on Schedule 40 PVC and Type M copper pipe. If the inside diameter of pipe is different (having other inside diameters) the scales will not read correctly.

Full Range Accuracy is $\pm 10\%$ when installed according to instructions.

Flowmeters are designed to withstand temperatures up to 200°F.

Flowmeter dimensions: 9" High x 4" Wide x 1.5" Deep.

DISASSEMBLY AND CLEANING INSTRUCTIONS:

Remove the flowmeter from the pipe.

Remove the black plastic cap located above the ball tube.

Remove the ball.

Wash the stainless steel ball and the tube with a solution of one part muriatic acid to four parts water.

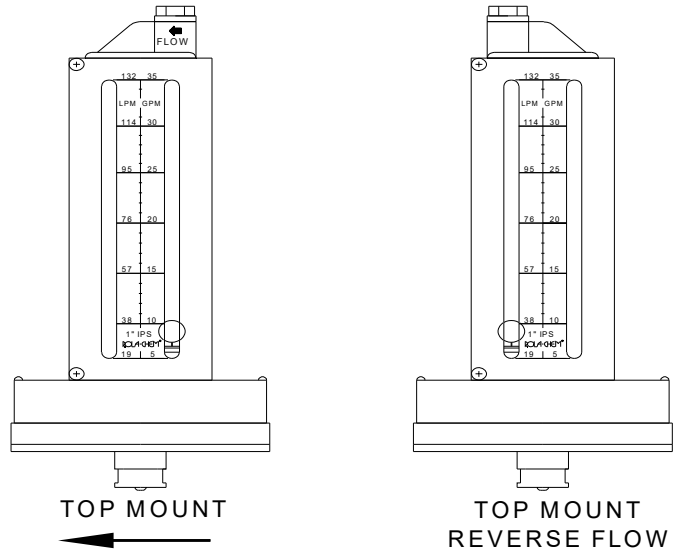
Use a long cotton swab (Q-tip) to clean inside wall of the tube, especially at the lower end near the stop ribs where the ball can stick if there is excessive contamination.

After washing, rinse thoroughly with clean water.

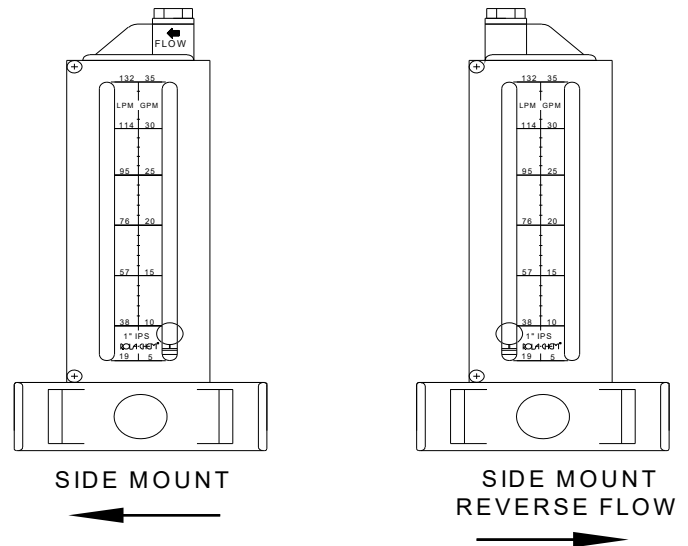
Reassemble and remount on pipe.

REVERSE FLOW INSTRUCTIONS:

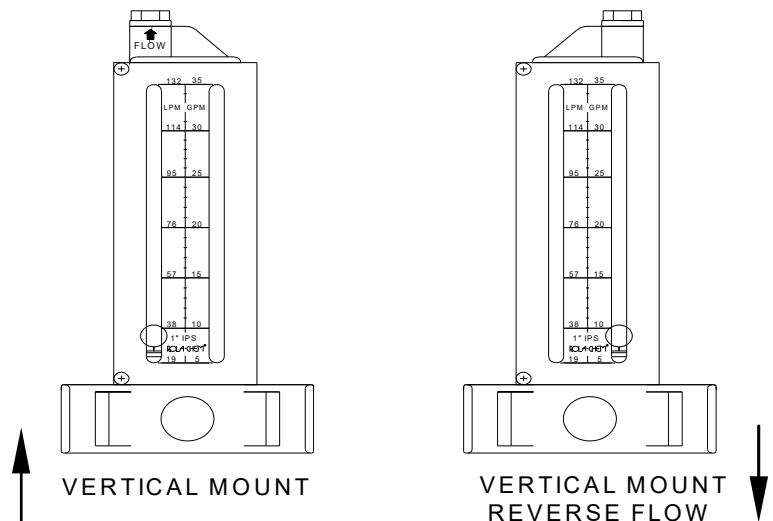
TOP MOUNT-
Rotate Flow Meter 180 °

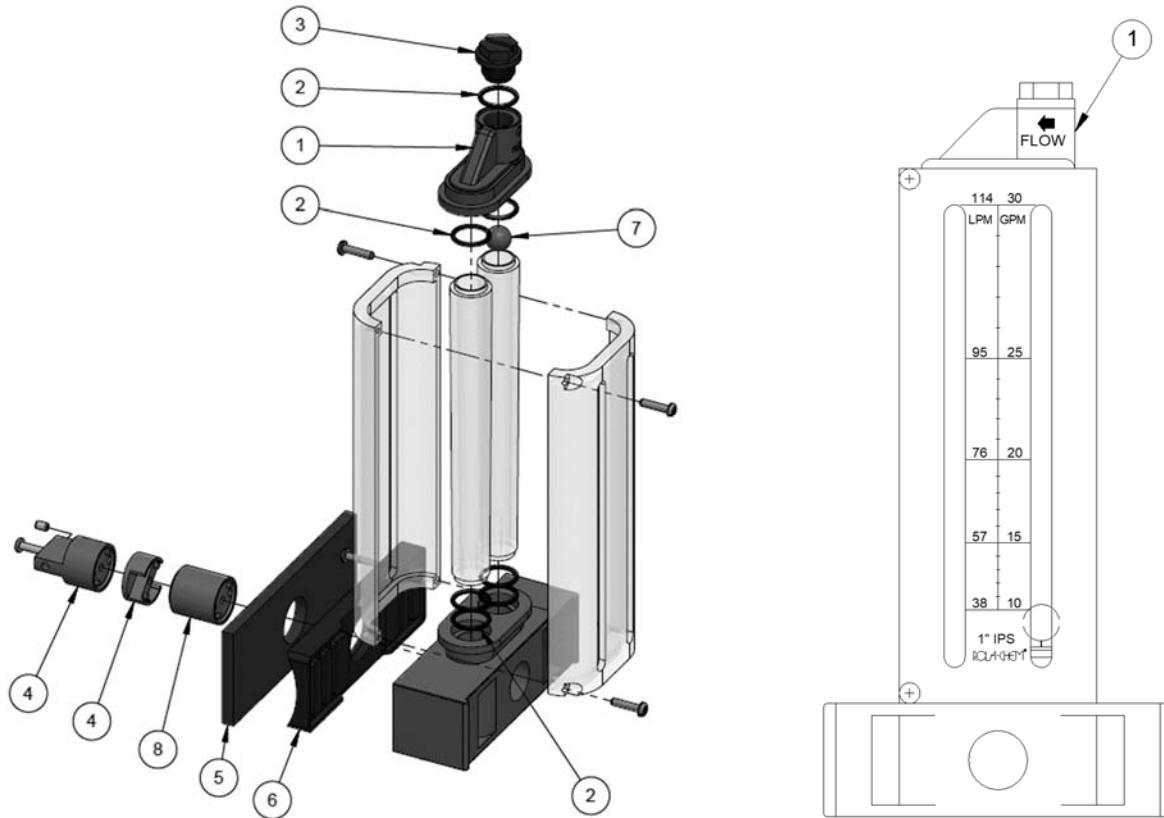


SIDE MOUNT-
Remove side covers (4 screws).
Lift off Top and remove Ball.
Put Ball in other Tube.
Reverse orientation of Top.
Install Top with black cap over tube with Ball.
Re-attach Side Covers.

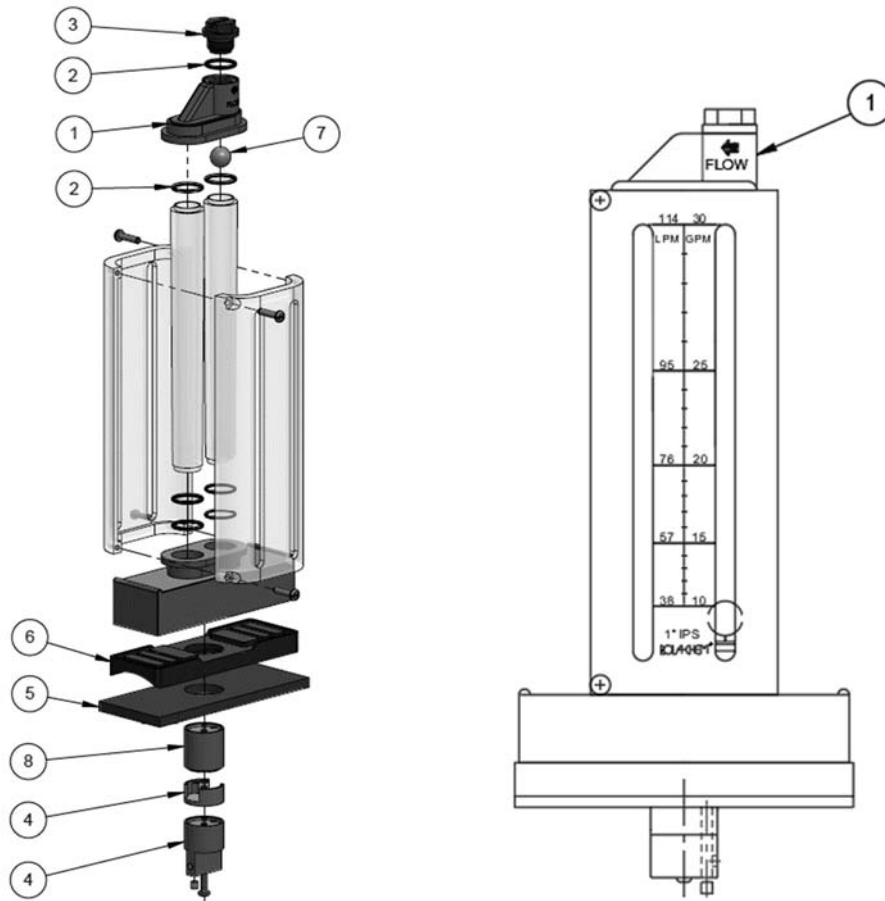


VERTICAL MOUNT-
Remove side covers (4 screws).
Lift off Top and remove Ball.
Put Ball in other Tube.
Reverse orientation of Top.
Install Top with black cap over tube with Ball.
Re-attach Side Covers.
Note: Flow will be opposite direction of arrow. Using downward flow is not recommended due to expected high reading fluctuations.



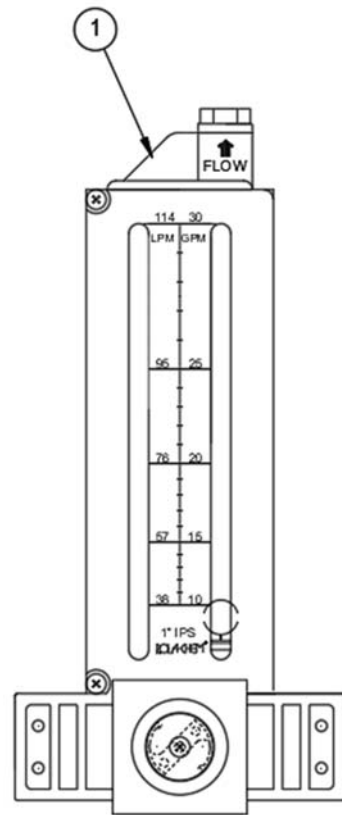
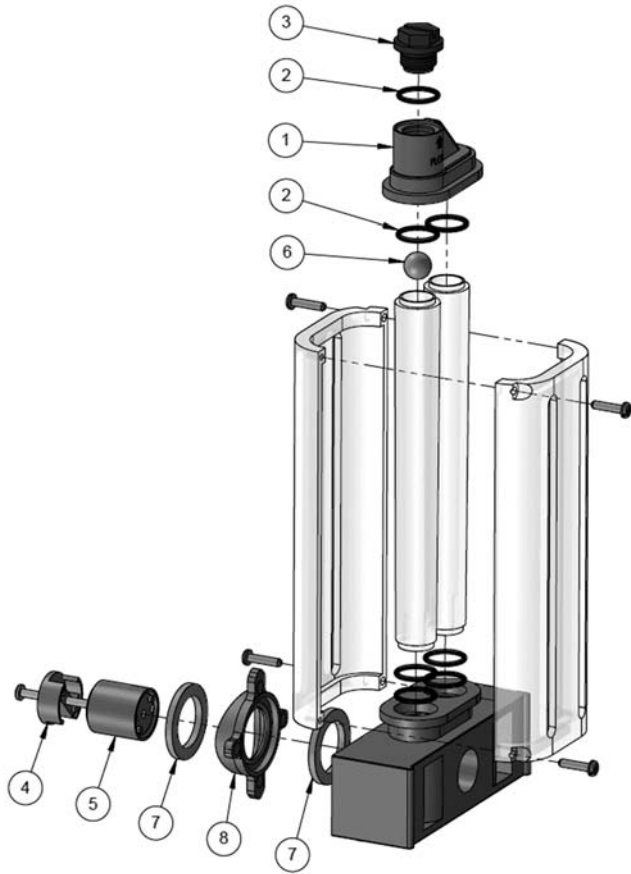


4.00 Thru 8.00	3.00	2.00 & 2.50	1.50 COPPER	1.50 PVC	1.25 PVC	1.00 PVC	NOTE: ITEM #5 IS ONLY USED ON 1.00 FLOWMETER.		
1							8	570065	EXTENSION, TRIPLE LENGTH
	1						8	570064	EXTENSION, DBL. LENGTH
		1					8	570063	EXTENSION, SINGLE LENGTH
1	1	1	1	1	1	1	7	8340220	BALL, Ø.386
			1	1	1	1	6	570130	GASKET, SIDE/TOP MNT
1	1	1					6	570129	GASKET, SIDE/TOP MNT
							1	570070	GASKET, SPACER, TOP/SIDE
			1	1	1	1	4	570124	PITOT END CAP, SPECIAL
1	1	1					4	570037	PITOT END CAP
1	1	1	1	1	1	1	3	570035	CAP PLUG BLACK
7	7	7	7	7	7	7	2	570027	O-RING 1-014 BUNA-N
			1	1	1	1	1	570127	TOP, SIDE/TOP MNT
1	1	1					1	570003	TOP, SIDE/TOP MNT
QUANTITY							ITEM	PART NUMBER	DESCRIPTION
FLOWMETER SIDE MOUNT									



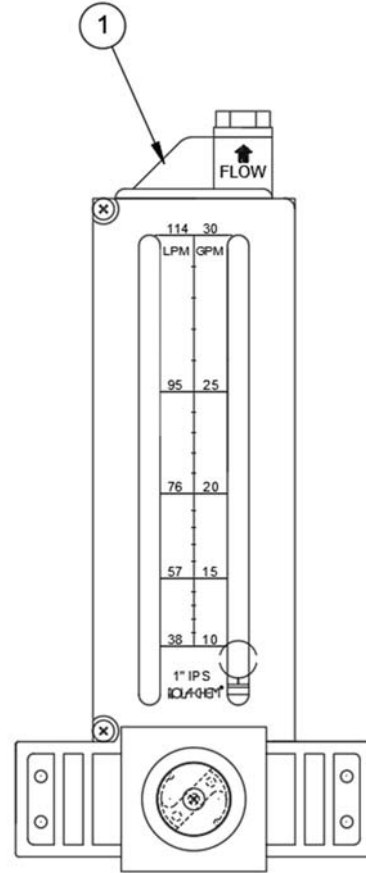
4.00 Thru 8.00	3.00	2.00 & 2.50	1.50 COPPER	1.50 PVC	1.25 PVC	1.00 PVC	NOTE: ITEM #5 IS ONLY USED ON 1.00 FLOWMETER.		
1							8	570065	EXTENSION, TRIPLE LENGTH
	1						8	570064	EXTENSION, DBL. LENGTH
		1					8	570063	EXTENSION, SINGLE LENGTH
1	1	1	1	1	1	1	7	8340220	BALL, Ø.386
1	1	1					6	570129	GASKET, SIDE/TOP MNT
			1	1	1	1	6	570130	GASKET, SIDE/TOP MNT
						1	5	570070	GASKET, SPACER, TOP/SIDE
			1	1	1	1	4	570124	PITOT END CAP, SPECIAL
1	1	1					4	570037	PITOT END CAP
1	1	1	1	1	1	1	3	570035	CAP PLUG BLACK
7	7	7	7	7	7	7	2	570027	O-RING 1-014 BUNA-N
			1	1	1	1	1	570127	TOP, SIDE/TOP MNT
1	1	1					1	570003	TOP, SIDE/TOP MNT
QUANTITY							ITEM	PART NUMBER	DESCRIPTION

FLOWMETER TOP MOUNT



8.00	6.00	4.00	3.00	2.50	2.00	1.50	1.25	1.00	NOTE: ITEM #5 IS ONLY USED ON 1.00 FLOWMETER.		
1									8	570153	SPACER, CURVED 8P - BLACK
	1								8	570152	SPACER, CURVED 6P - RED
		1							8	570151	SPACER, CURVED 4P - YELLOW
			1						8	570149	SPACER, CURVED 3P - GREEN
				1					8	570147	SPACER, CURVED 2.5P - GRAY
					1				8	570145	SPACER, CURVED 2P - BLUE
						1			8	570143	SPACER, CURVED 1.5P - WHITE
							1		8	570141	SPACER, CURVED 1.25P - PURPLE
								1	8	570140	SPACER, CURVED 1P - ORANGE
2	2	2	2	2	2	2	2	2	7	570139	GASKET, CURVED SPACER
1	1	1	1	1	1	1	1	1	6	8340220	BALL, Ø.386
1	1	1							5	570065	EXTENSION, TRIPLE LENGTH
			1						5	570064	EXTENSION, DOUBLE LENGTH
				1	1	1	1	1	5	570063	EXTENSION, SINGLE LENGTH
1	1	1	1	1	1	1	1	1	4	570037	PITOT END CAP
1	1	1	1	1	1	1	1	1	3	570035	CAP PLUG BLACK
7	7	7	7	7	7	7	7	7	2	570027	O-RING 1-014 BUNA-N
1	1	1	1	1	1	1	1	1	1	570002	TOP, VERTICAL MNT.
QUANTITY									ITEM	PART NUMBER	DESCRIPTION

FLOWMETER PVC PIPE VERTICAL MOUNT



4.00 Thru 8.00		3.00		1.00 Thru 2.50		NOTE: ITEM #8 IS ONLY USED ON 1.00 FLOWMETER.	
QUANTITY	ITEM	PART NUMBER	DESCRIPTION				
		1	8	570071	GASKET, SQ. SPACER, VERTICAL MNT		
1	1	1	7	570088	GASKET, CONE, VERT MNT		
1	1	1	6	8340220	BALL, Ø.386		
1			5	570065	EXTENSION, TRIPLE LENGTH		
	1		5	570064	EXTENSION, DOUBLE LENGTH		
		1	5	570063	EXTENSION, SINGLE LENGTH		
1	1	1	4	570037	PITOT END CAP		
1	1	1	3	570035	CAP PLUG BLACK		
7	7	7	2	570027	O-RING 1-014 BUNA-N		
1	1	1	1	570002	TOP, VERTICAL MNT.		
FLOWMETER COPPER PIPE VERTICAL MOUNT							