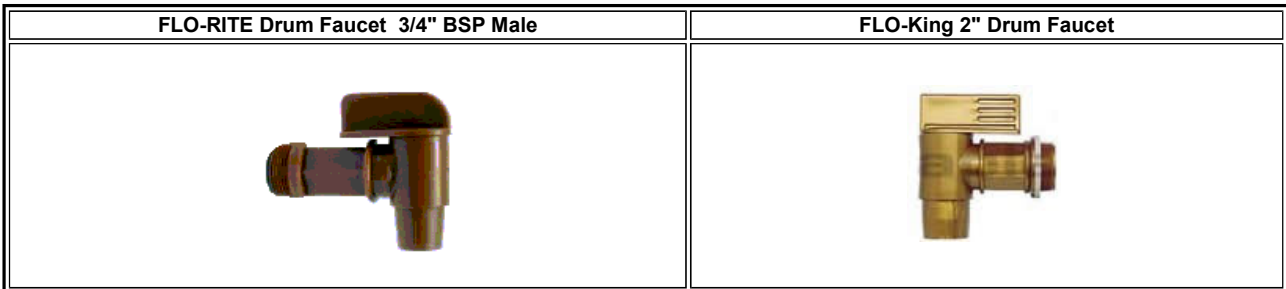


Spring Auto Self Close Pour Tap New								'EvE' PP Pour Taps							
<p>** NEW April 08 **</p> <p>¾ BSPm x 20 PP/PA Spring Close Pour Tap</p> <p>Flow = 7.3 Litres per Minute of Water at 6" Head</p> <p>Save Accidental Spillage Save Environment</p> <p>Inlet Push Outlet</p> <p>Washer Supplied on Thread in Thermoelastic Polymer</p> <p>Length of Tap from Flange to End of Push Knob = 80mm</p>															
<p>EPDM Seals & Thread Gasket This orange co-Polypropylene angled pour tap is ideal for OEM equipment in dispensing chemicals or water as necessary. Hose outlet is suitable for hose connection. 1/2" version if 62% of the flow of 3/4" * 20 type. Pressure is recommended for 4 bars or less & max 90 C. SS Fixing screw. Data Sheet These Taps could be supplied in Nylon with FPM Seals on Special Request.</p>															
Ref	BSPm	Hose	Material	F/Length	Wt	L/Min	Price	Ref	BSPm	Outlet 45 deg	Bore	Long	Thrd	Price	
11PP07	3/4"	20mm	PP	88mm	60g	7.30	£6.00	11P1009	3/8"	13mm hose	10mm	67mm	12mm	£3.50	
11PN07	3/4"	20mm	Nylon	88mm	60g	7.30	£6.50	11P1001A	1/2"	13mm hose	11mm	84mm	14mm	£3.50	
<p>¾" BSPm Spring Auto Self Close Pour Tap suitable for Water Tanks, Bowers, Chemical Drums and OEM use. Simple pour down design from horizontal fixing with Push Mushroom Hand Knob operation on end. These faucets are a unique design. Please note test was done on a 6" water head tank.</p>								11P1001B	3/4"	13mm hose	11mm	84mm	14mm	£3.50	
								11P1001C	3/4"	20mm hose	15mm	84mm	14mm	£4.67	
								Wt of each 51g approx.							

Hose Stopcocks							PP Hose Taps (Reduced Bore)		
<p>3 Way Hose</p>		<p>2 Way Hose</p>		<p>2 Way (BSP x Hose)</p>					
<p>Small plug cocks suitable for aggressive chemicals in engineering plastics. Designed for low pressures.(1 Bar) Max Temps: PE to 45°C PP to 80°C PVDF to 100°C Hose fitting ends. NEW DESIGN Large Bore. Data Sheet</p>							<p>The light horticultural taps in PP / Acetal resin are for low pressure water applications where threads and hoses need to be joined. 90 deg. thumb grip/Butterfly operation. Thick liquids not to be used. Nitrile seal.</p>		
Two Way									
Ref	Hose Size Fit	Bore (mm)	Mat	Colour	Weight	Price	Ref	End Connection	Price
11P2102	6mm	4x4	PP	Black	9gms	£1.35	11P1107	13mm x 13mm Green Knob	£1.07
11P2103	10mm	8x8	PP	Black	9gms	£1.45	11P1107b	19mm x 19mm Green Knob	£1.07
11P2105	13mm	10x10	PP	Black	14gms	£1.67	11P1112	1/2"BSPf x 13mm Hose	£1.18
11P2107	20mm	15x15	PP	Black	12gms	£2.23	11P1205	1/2"BSPm x 13mm Hose	£1.010
11P2110	25mm	18x18	PP	Black	20gms	£3.12	11P1206	3/4"BSPm x 13mmHose	£1.18
11P2111	33mm	26x26	PP	Black	28gms	£3.90	11P1305	1/2"BSPm x 1/2"BSPm	£1.30
11P2110a	(1/4 bspm) x10mm	10mm	POM	Black	5gms	£2.50	11P1306	3/4"BSPm x 3/4"BSPm	£1.49
Three Way									
Ref	HoseSizeFit	Bore (mm)	Mat	Colour	Weight	Price			
11P2302	6mm	4x4x4	PE	Black	8gms	£3.19	Material: POM Colour :Black		
11P2303	10mm	8x8x8	PE	Black	10gms	£3.34			

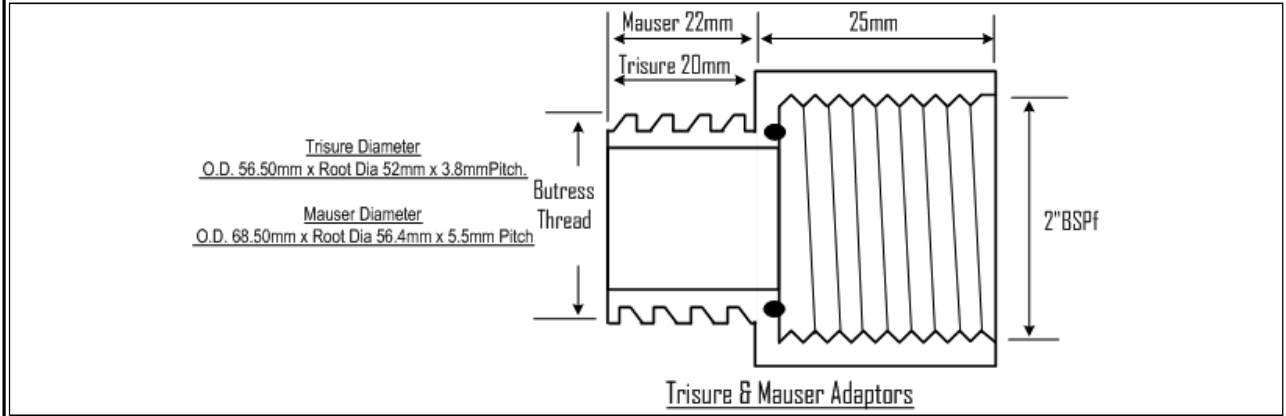
11P2305	13mm	10x10x10	PE	Black	16gms	£3.40	Orifice:12mm
11P2397	20mm	15x15x15	PE	Black	40gms	£4.18	
11P2308	25mm	18x18x18	PE	Black	74gms	£5.24	



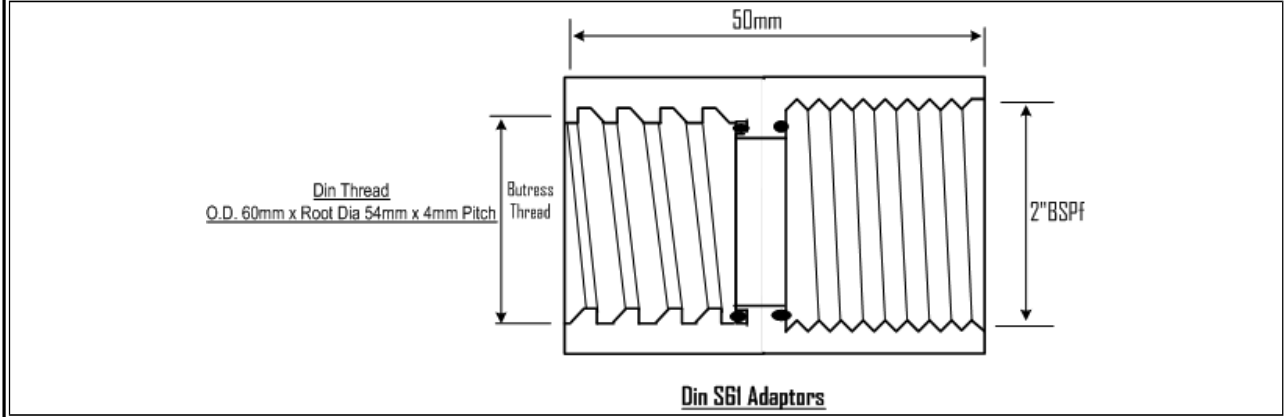
Ref :11P2507	£1.52 each	Ref:11P2520	£15.93 each
---------------------	------------	--------------------	-------------

<p>Overall Length = 92mm This taper threaded tap for drum openings is for non pressure uses. Made of GOLD COLOUR P.E. has no seals. Operates on a 90° turn by thumb grip. Treacles or acids not to be used. There is no flange at foot of 3/4" male thread 10mm long. Wt.=36g</p>	<p>Overall Length= 156mm Wt= 290g Large tap for 2" drum female threaded outlets where quick emptying is required. Made of Gold coloured Polyethylene with no internal seals. Turns 'ON' or 'OFF' 90° with a hand bar. A small flange and gasket is at the foot of 15mm fixing thread length.</p>
--	---

PP CARBOUY Adaptors



Ref : 11P205	Trisure-Male x 2"BSP Female	£3.85	Material :PP Glass reinforced Black Seal : Santoprene
Ref: 11P204	Mauser-Male x 2"BSP Female	£3.85	Material :PP Glass reinforced Black Seal : Santoprene



Ref : 11P206 (IBC fitting)	£ 6.68	Material :PP Glass reinforced Black Seal : Santoprene
-------------------------------------	--------	---

(Din Adaptors 6131 are Female x Female) (Overall Length = 53mm & 50 Gms Weight)
 See [Technical](#) Page 0 for more details.

PLEASE NOTE : Prices subject to change without prior notice.