

# 2006 Manufacture

Sizes of hose fitting are based on an interference friction fit in to clear PVC hose ie 25mm barbs are actually 26mm and 32mm barbs are 33mm dia. This is the rule except where indicated \*, where the fit is not standard. 6mm Sizes available 'L', 'T', Menders in Nat PP on demand. Max Temp 80 C, or 8 bars at ambient temp. Chemical resistance of PP to be always considered before any application. EvE manufactured items are generally marked with Size, Material of Manufacture and 'EvE. Anything that is not of EvE manufacture does not necessarily comply. Information subject to change without notice

Hose Tee Size	Ref	Length	Depth	Weight Gms	PP Black	Bore Dia
10mm* 3/8"	28HT02	73	34	2	y	8
13mm 1/2"	28HT03	67	35	4	y	10
16mm* 5/8"	28HT04	84	44	10	y	13
20mm 3/4"	28HT06	83	43	12	y	15
25mm 1"	28HT07	98	51	26	y	19
33mm 1 1/4"	28HT09	109	56	46	y	24
38mm 1 1/2"	N.A.					
40mm metric	28HT10	136	74	60	y	29
50mm 2"	28HT11	151	83	100	y	41

Hose Mender Size	Ref	Length	Weight Gms	PP Blk	Bore Dia
10mm* 3/8"	28HM02	68	2	y	8
13mm 1/2"	28HM03	53	3	y	10
16mm* 5/8"	28HM04	76	6	y	14
20mm 3/4"	28HM05	81	8	y	14
25mm 1"	28HM06	87	14	y	21
33mm 1 1/4"	28HM07	89	22	y	26
38mm 1 1/2"	N.A.				
40mm metric	28HM08	99	34	y	32
50mm 2"	28HM09	88	38	y	42

Hose Red. Mender Size	Ref	Length	Weight Gms	PP	Bore Dia
13 x 10mm* 1/2" x 3/8"	28HMR02				
16 x 13mm* 5/8" x 1/2"	28HMR03	62	6	y	15x9
20 x 13mm 3/4" x 1/2"	28HMR04b		7	y	15x9
25 x 13mm 1" x 1/2"	28HMR04c	66	8	y	20x9
25 x 20mm 1" x 3/4"	28HMR05	70	10	y	20x15
32 x 20mm 1 1/4" x 3/4"	28HMR07	66	12	y	26x15
32 x 13mm 1 1/4" x 1/2"	28HMR06*	63	12	y	26x9
32 x 25mm 1 1/4" x 1"	28HMR06	71	16	y	26x20
32 x 25mm 1 1/2" x 1"	28HMR06*	86	12	y	30x20
40 x 32mm 1 1/2" x 1 1/4"	28HMR08	86	26	y	30x26
50 x 40mm 2" x 1 1/2"	28HMR09	88	36	y	40x30

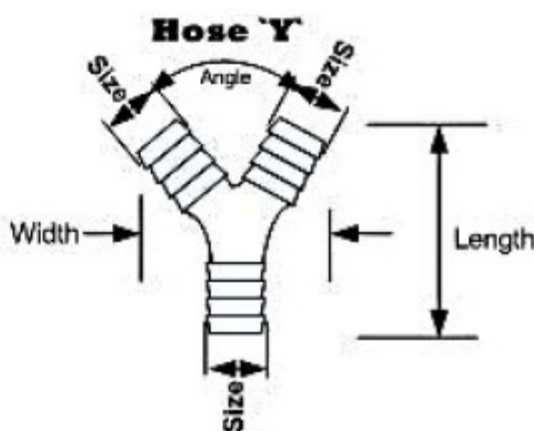
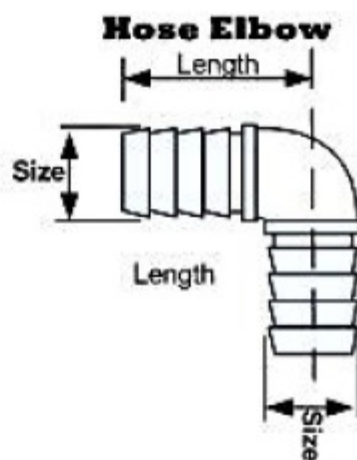
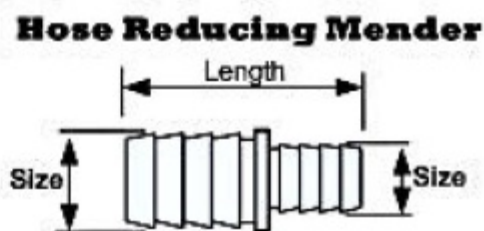
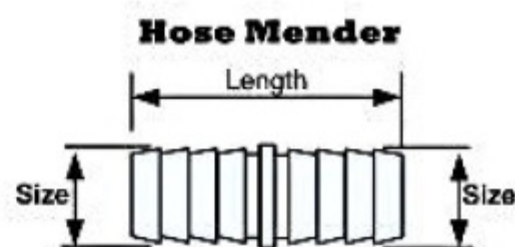
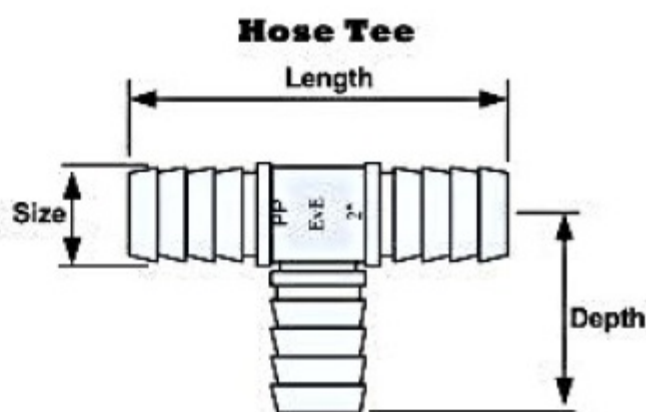
Hose 'L' Size	Ref	Length	Weight Gms	PP Blk	Bore Dia
10mm* 3/8"	28HL02	33	2	y	2
13mm 1/2"	28HL03	26	3	y	4
16mm* 5/8"	28HL04	46	4	y	13
20mm 3/4"	28HL05	40	8	y	15
25mm 1"	28HL06	48	18	y	19
33mm 1 1/4"	28HL07	51	30	y	24
38mm 1 1/2"	N.A.				
40mm metric	28HL08	59	36	y	33
50mm 2"	28HL09	74	70	y	41

Hose 'Y' Size	Ref	Length	Width	Weight Gms	PP Blk	Bore Dia	Angle 'Y'
10mm 3/8"	28HY02	51	49	4	y	7	60
13mm 1/2"	28HY03	87	58	6	y	9	60
16mm 5/8"	28HY04	90	60	8	Nat	12	60
20mm 3/4"	28HY05	89	63	18	y	14	60
25mm 1"	28HY06	150	93	40	y	19	60



sales@everyvalve.com

## EvE HOSE Fittings Black PP



Other products - Hose Adaptors, Metal & Plastic Valves, Pumps and pipe fittings

\* = Note EvE manufacture

May 2006 EvE Sales Terms & Conditions always apply. Min order £25.00