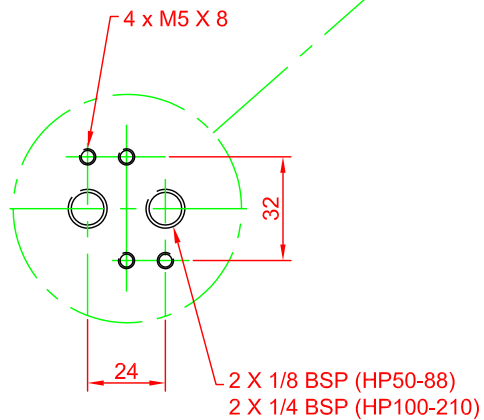
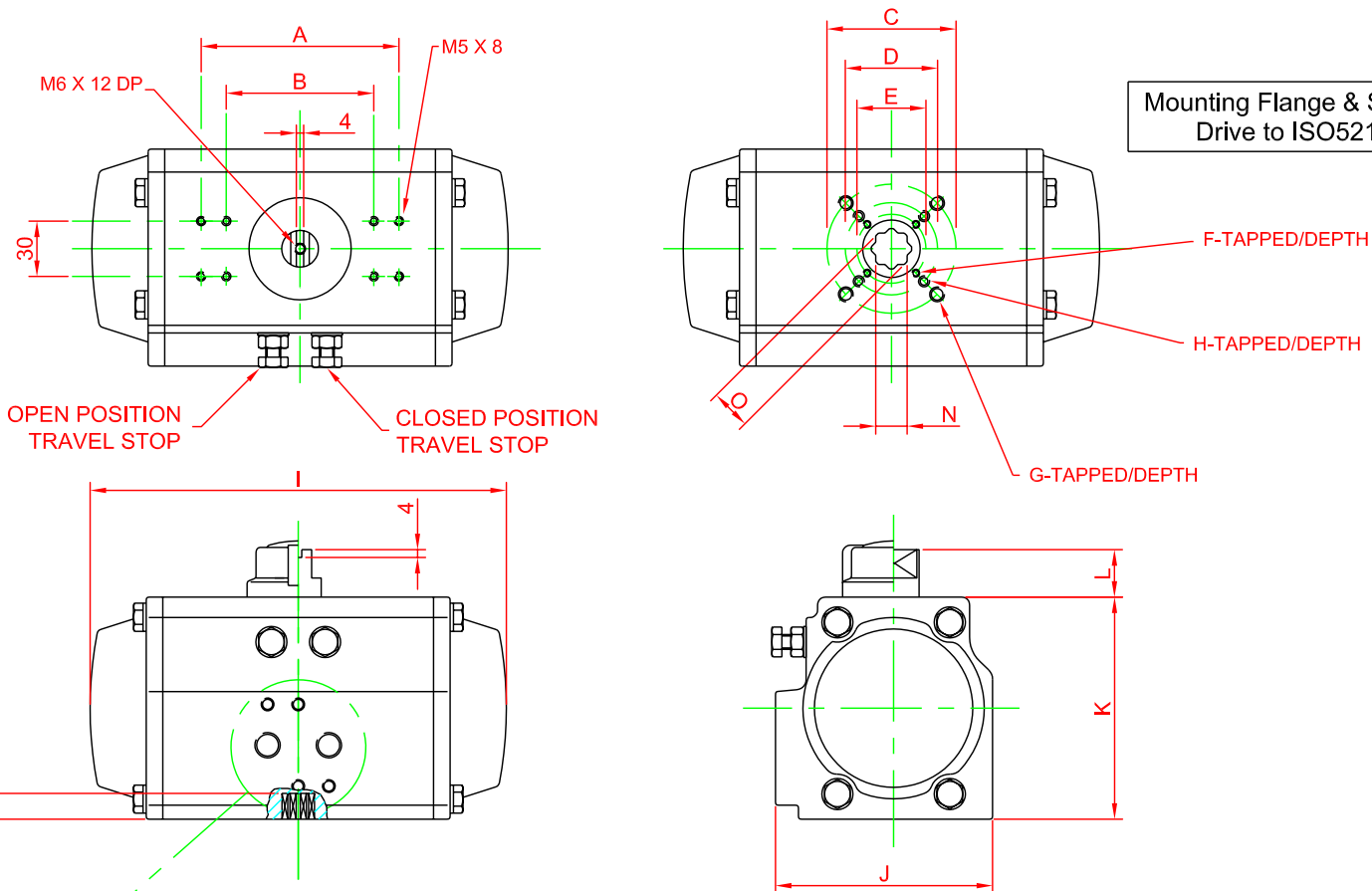


Top Flange acc. to VDI/  
VDE 3845 (Namur)

Mounting Flange & Square  
Drive to ISO5211



Solenoid Flange acc. to  
VDI/VDE 3845 (Namur)

HPS/ HPD	50	63	66	75	88	100	115	125	145	160	180	200	210
A	-	-	-	-	-	-	-	-	130	130	130	130	130
B	80	80	80	80	80	80	80	80	80	80	80	80	80
C	50	50	70	70	102	102	102	125	125	125	125	140	140
D	36	36	50	50	70	70	70	102	102	102	102	-	-
E	-	-	-	-	50	50	-	70	-	-	-	-	-
F	-	-	-	-	M6/9	M6/9	-	M8/12	-	-	-	-	-
G	M6/9	M6/9	M8/12	M8/12	M10/15	M10/15	M10/15	M12/18	M12/18	M12/18	M12/18	M16/24	M16/24
H	M5/8	M5/8	M6/9	M6/9	M8/12	M8/12	M8/12	M10/15	M10/15	M10/15	M10/15	-	-
I	144	163	202	210	247	268	316	347	414	467	497	555	628
J	72	85	85	96	108	123	141	151	172	190	206	227	236
K	73	87	87	104	116	128	146	159	179	196	221	247	256
L	20	20	20	20	20	20	20	20	30	30	30	30	30
M	14	18	18	22	22	22	32	32	36	36	39	39	43
N	11	14	14	17	17	17	22	22	27	27	36	36	36
O	14.2	18.2	18.2	22.2	22.2	22.2	28.2	28.2	36.2	36.2	48.2	48.2	48.2

DATA SHEET No.

1.03.4

ISSUE DATE

AUG 2009

ISSUE REF

A