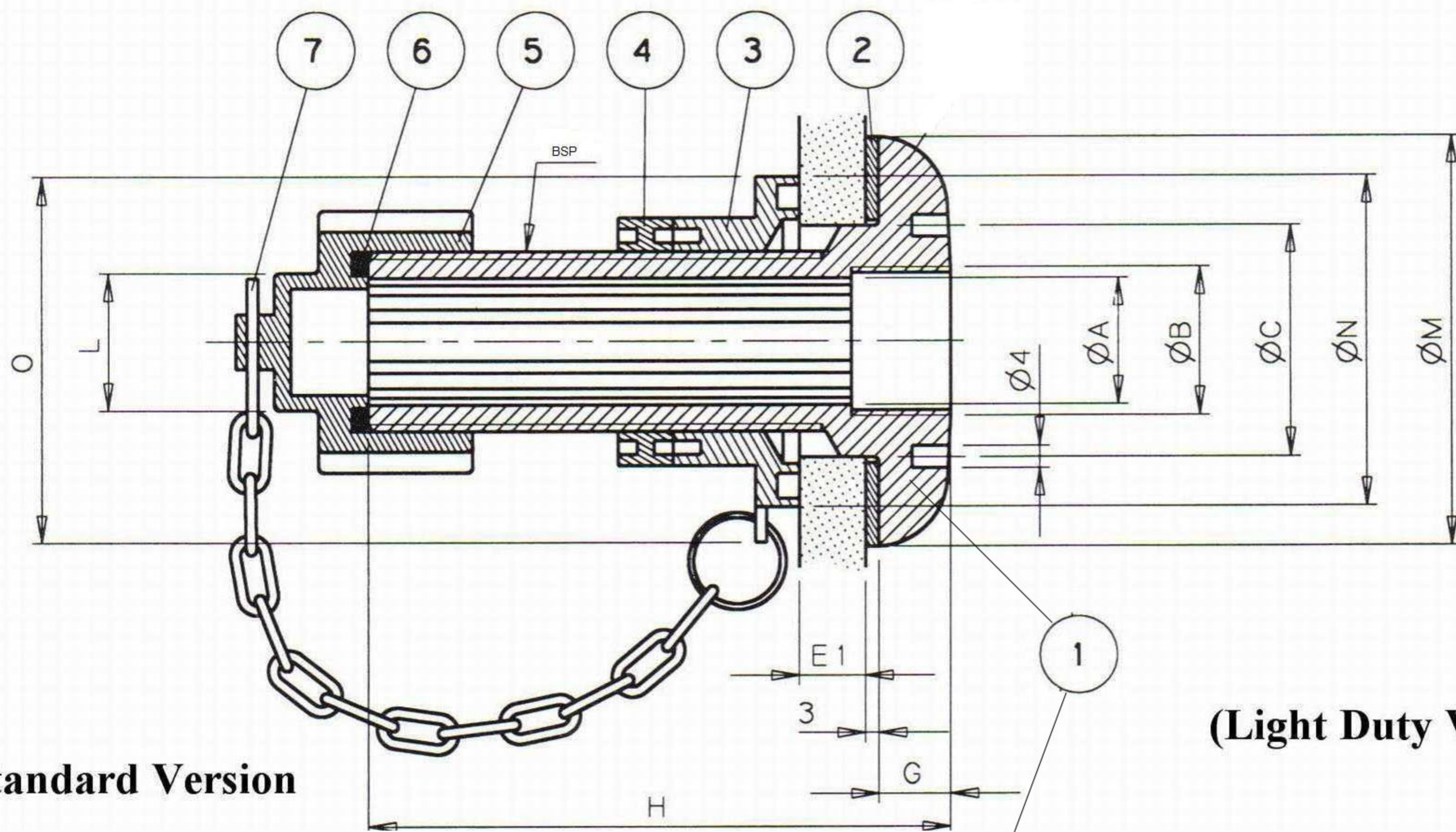


Everyvalve Ltd

1/2" TO 2" - DN15 TO DN50

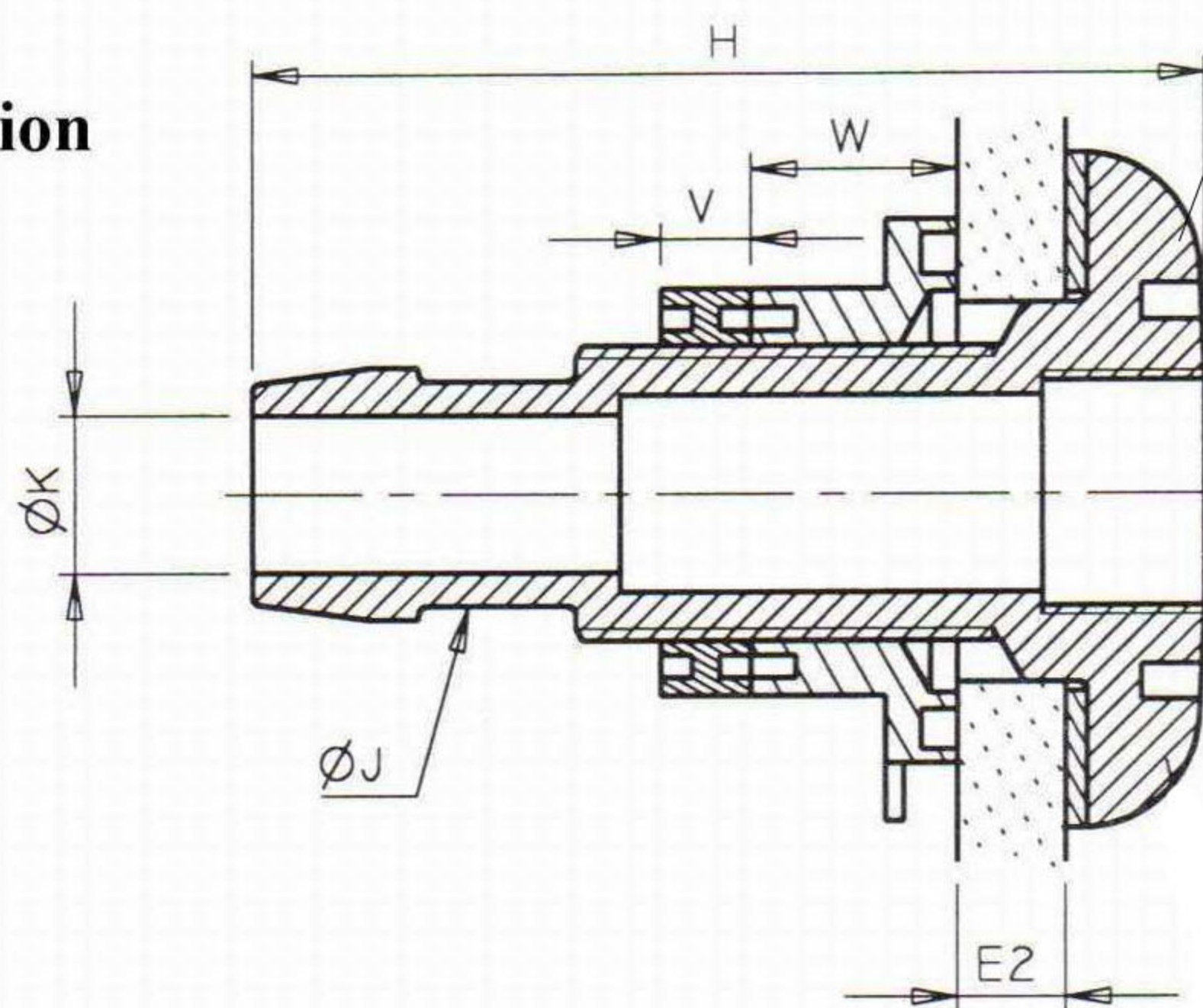
HEAVY DUTY BULKHEAD FITTINGS REF : 32P5760



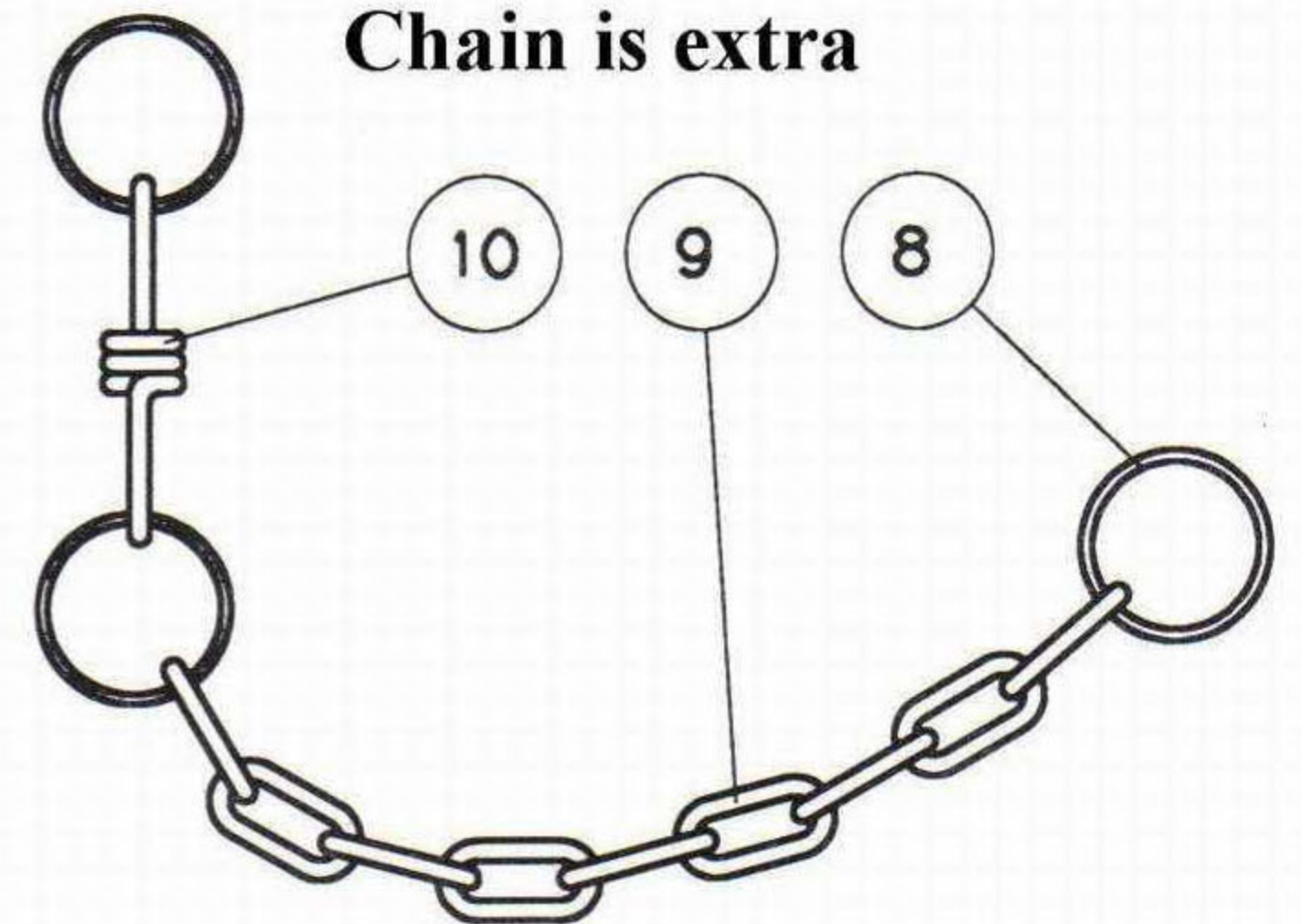
Standard Version

(Light Duty Version is Available)

Hosetail Version by Request



Chain is extra



without Cap & Locknut

Item	No	Description	Material
1	1	Body-threaded version	GRPP
		Body-hosetail version	GRPP
2	1	Flat gasket	EP/FPM
3	1	Backing nut	GRPP
4	1	Locking nut	GRPP
5	1	Threaded cap	GRPP
6	1	O'ring	EP/FPM
7	1	Hook	SS303
8	1-3	Ring	SS303
9	1	Chain	NYLON
10	1	Swivel link	SS303

Types

Standard versions are supplied without locking nut and without cap. Chains are supplied with threaded caps. Locking nuts are hexagon for easy tightening.

Operation and installation

Bore hole to prescribed size and keep free of foreign matter. Insert threaded section through hole to allow seating of mushroom head on flat rubber washer. Screw up and tighten backing nut from the other side to fix solidly in position. Use a locking nut for security. Hosetail versions should not be overtightened with Jubilee-clips.

Applications

For use in tanks, draining gulleys, boat hulls, or miscellaneous connections for chemical and water outlets.

BSP	A	B	C	E1 max.	E2 max.	G	H	J	K	L	ØM	ØN	O	V	W	Hose size ranges	Weight	Aperture Ø size	Ref.
1/2"	12	3/8"	26	42	17	10	85	15	10	20	60	46	52	8	16	Ø12 to 18	60 gr	30	2002-00
3/4"	17	1/2"	33	42	17	10	85	20	15	20	68	51	57	8	16	Ø19 to 23	75 gr	36	2002-01
1"	22	3/4"	42	57	21	13	105	25	17	25	75	61	67	10	23	Ø25 to 28	125 gr	43	2002-02
1" 1/4	30	1"	50	57	21	13	105	32	24	25	85	71	77	10	23	Ø31 to 35	160 gr	51	2002-03
1" 1/2	34	1" 1/4	58	57	21	13	105	40	34	25	90	80	87	12	23	Ø40 to 43	200 gr	57	2002-04
2"	44	1" 1/2	65	57	21	13	105	51	44	25	105	91	97	12	23	Ø50 to 54	270 gr	69	2002-05

If the above bulkhead fittings are to be used in an ambient temperature of less than -5°C with FPM seals, insulation should be provided to avoid any change in the mechanical characteristics. Everyvalve Ltd policy of continuously developing its product range and the above data is subject to change without prior notification.