



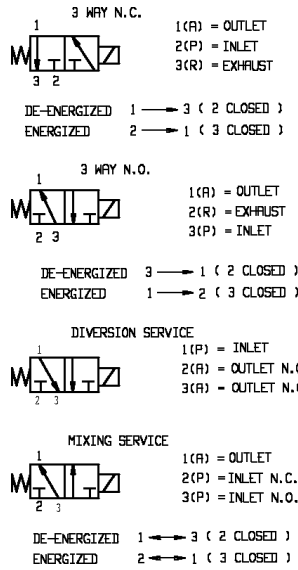
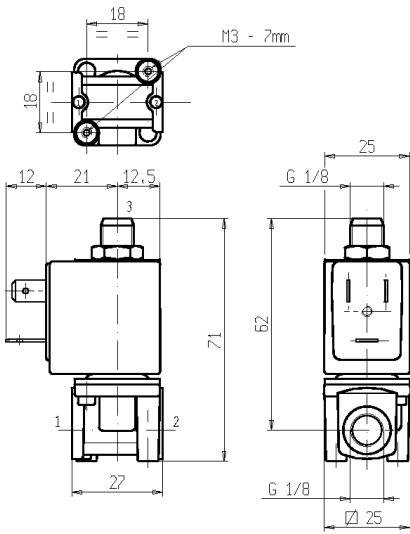
# SOLENOID VALVE

## 3/2 - NC - NO - UF (Universal function)

### Direct acting

### G 1/8

# L377



#### ► GENERAL FEATURES

Direct acting solenoid valve.  
 Particularly suitable to operate single-acting cylinders.  
 Suitable also for mounting on manifold (see the technical sheet K23255).  
 Suitable to shut off liquid and gaseous fluids (verify the compatibility of fluid with materials in contact).

#### ► TECHNICAL FEATURES

Maximum allowable pressure (PS) 30 bar  
 Opening time ~15ms  
 Closing time ~15ms  
 Fluid temperature -10°C +90°C (NBR)  
 0°C +130°C (FPM)  
 Max viscosity 5°E (~37 cStokes or mm<sup>2</sup>/s)

#### ► MATERIALS IN CONTACT WITH FLUID

Body Brass  
 Sealing NBR or FPM  
 Internal components Stainless steel  
 Seat Brass  
 Core tube Stainless steel  
 Shading coil Copper

#### ► COIL

Continuous duty ED 100%  
 Encapsulation material PET (polyethylene terephthalate) fiberglass reinforced  
 Insulation class F (155°C)  
 Ambient temperature -10°C +60°C  
 Electric connenctions DIN 46340- 3 poles connectors  
 Protection degree IP 65 (EN 60529) with plug connector  
 Voltages DC 12-24V (+10% -5%)  
 AC 24V/50-60Hz - 110V/50-60Hz (120V/60Hz) - 230V/50-60Hz (+10% -15%)  
 (Other voltages and frequencies on request).

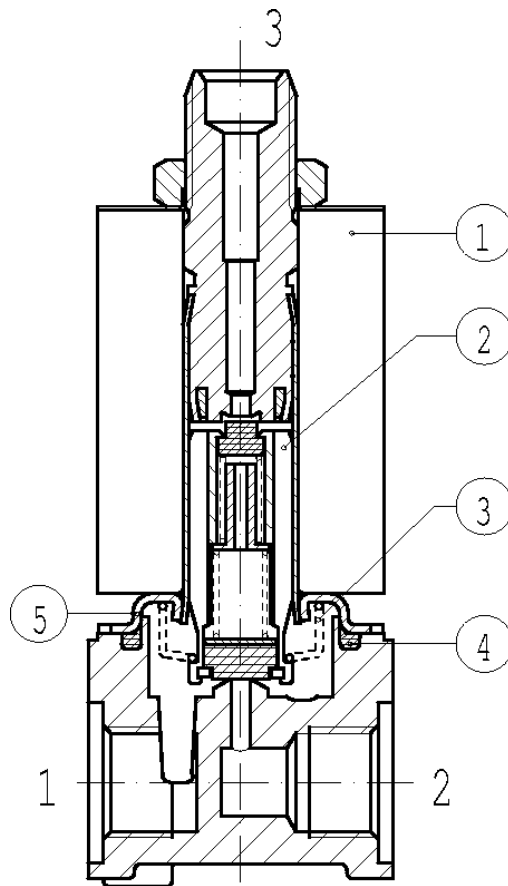
Port size ISO 228	Orifice size (mm)	Differential pressure (bar)				Kv (m <sup>3</sup> /h)	Series and type		Power absorption			Sealings	Function Notes	Weight (kg)	
		Δp min	Δp max				Valve	Coil	AC (VA)		DC (W)				
			Gases		Liquids				Inrush	Holding					
			AC	DC	AC										DC
G 1/8	1,6	0	10	10	8	8	L377B03C L377V03C L377B03A L377B03G L377V03G	Z610A	16	10	6	NBR	NC NO - 1 UF	0,170	
			6	6	6	6						FPM			
			6	6	6	6						NBR			
			6	6	6	6						FPM			

#### ► NOTES

- Sealings : NBR = Nitrile-butylene elastomer FPM = Fluoro-carbon elastomer  
 - NC: Normally closed - NO: Normally open - UF: Universal function  
 1 - The NO version is not suitable for installation on manifold: see the L331B24.

# L377

## ► SPARE PARTS



### Kit description

### Kit P.N.

### Consisting of:

Core kit	L377B03C L377V03C L377B03A L377B03G L377V03G	G2934701 G2934702 G2934801 G2934901 G2934902	Core pos. 2 OR guide assembly pos. 4
Core return spring kit	L377B03C-V03C L377B03A L377B03G-V03G	G2926801 G2926901 G2927101	N.10 core return springs pos.3
OR guide assembly kit	L377B03C-B03A-B03G L377V03C-V03G	GU2421000017 GU2424000017	N.10 OR guide assembly pos. 4
Guide assembly		2973101R	Guide assembly pos. 5
Coil		Z610A	Coil pos. 1

## ► INSTALLATION

Solenoid valve can be mounted in any position; vertical with coil upwards preferred.