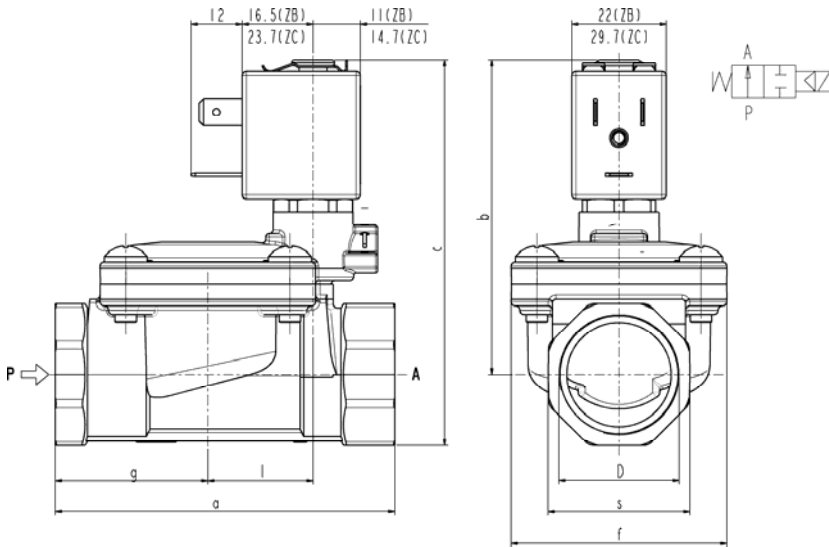




SOLENOID VALVE
2/2- NO (Normally open)
Pilot operated
G 3/8 ÷ G 1

L282



D	a	b	c	f	g	l	s
G 3/8	60	67	78	40	25,5	20	22
G 1/2	66	69	83	40	29	20	27
G 3/4	79	73,5	90	50	35,5	24,5	33
G 1	105	85	106	71	46	28	42

► **GENERAL FEATURES**

Diaphragm valve, pilot operated, having full orifice.
 Suitable to shut off liquid and gaseous fluids (verify the compatibility of fluid with material in contact).

► **TECHNICAL FEATURES**

Maximum allowable pressure (PS) 20bar
 Opening time from ~300ms to ~1500ms

Fluid temperature -10°C +90°C (NBR)
 0°C +130°C (FPM)
 Max viscosity 5°E (~37 cStokes o mm²/s)

► **MATERIALS IN CONTACT WITH FLUID**

Body Brass
 Sealing NBR or FPM
 Internal components Brass and stainless steel
 Seat Brass
 Core tube Stainless steel
 Shading coil Copper

► **COIL**

According to standards

Encapsulation material

Insulation class
 Ambient temperature
 Continuous duty

Protection degree

Voltages DC
 AC

ZB10A ZC10A	ZB12A ZC12A*	ZB14A ZC14A*
/	UL and CSA	UL and CSA
PA	PET	PET
fiberglass reinforced F (155°C)	fiberglass reinforced F (155°C)	fiberglass reinforced H (180°C)
-10°C +60°C	-10°C +60°C	-10°C +75°C
ED 100%		

IP 65 (EN 60529) with plug connector	IP 67 (EN 60529) with plug connector	IP 67 (EN 60529) with plug connector
ZC: 12-24V (+10% -5%)	ZB: 24V/50-60Hz - 115V/50Hz - 230V/50-60Hz (+10% -15%)	

(Other voltages and frequencies on request).

* ZC12A - ZC14A: UL approval pending

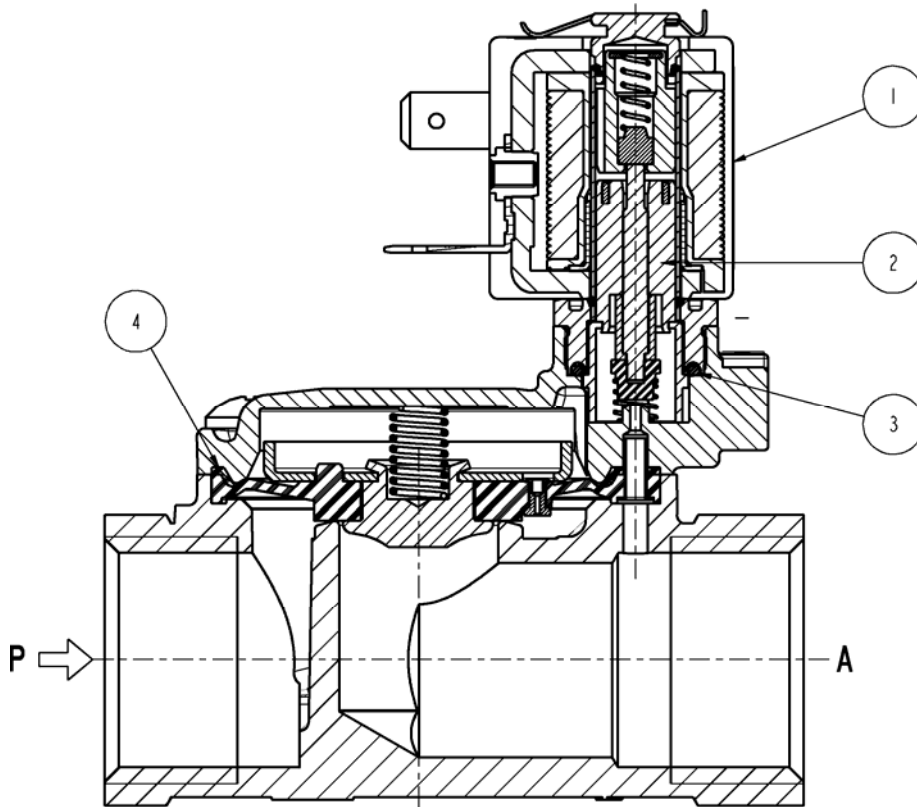
Port size ISO 228	Orifice size (mm)	Differential pressure (bar)				Kv (m ³ /h)	Series and type		Power absorption				Sealings	Notes	Weight (kg)																																								
		Δp max					Valve	Coil	AC (VA)			DC																																											
		Δp min	Gas		Liquid				Inrush	Holding																																													
AC	DC		AC	DC	VA	VA	W	W																																															
3/8	13,5	0,35	12	-	12	-	L282B01 L282V01	ZB10A ZB12A	12	6	4	-	NBR FPM	-	0,32 0,38																																								
1/2																10	10	5	L282B01 L282V01	ZC10A ZC12A	-	-	5,5	NBR FPM	-	0,52 1,08																													
3/4	12																										12	3,8	L282B01 L282V01	-	-	-	NBR FPM	-	0,32 0,38																				
1																																				10	10	5	L282B01 L282V01	-	-	-	NBR FPM	-	0,52 1,08										
3/8																																														10	10	12	L282B01 L282V01	-	-	-	NBR FPM	-	0,32 0,38
1/2																																																							
3/4			10	10	12	L282B01 L282V01	-	-	-	NBR FPM	-	0,52 1,08																																											
1													10	10	12	L282B01 L282V01	-	-	-	NBR FPM	-	0,52 1,08																																	

► **NOTES**

- Sealings: NBR=Nitrile-butylene elastomer FPM=Fluoro-carbon elastomer
- Operation with gaseous media, at high pressure without any outlet restriction, can reduce the diaphragm life.
- On request coil in class H (ZB14A – ZC14A - see § "COIL")

L282

► SPARE PARTS



Kit description		Kit P.N.	Consisting of:	
Actuator kit		G3139801	Actuator kit pos.2 O-Ring guide assembly pos. 3	
Diaphragm assembly	L282B	G3/8-1/2	2844302R	Diaphragm assembly pos.4
		G3/4	2299701R	
		G1	2380101R	
	L282V	G3/8-1/2	2844303R	
		G3/4	2299702R	
		G1	2380102R	
Coil		ZB ZC	Coil pos.1	

► INSTALLATION

- Solenoid valve can be mounted in any position; vertical with coil upwards preferred.