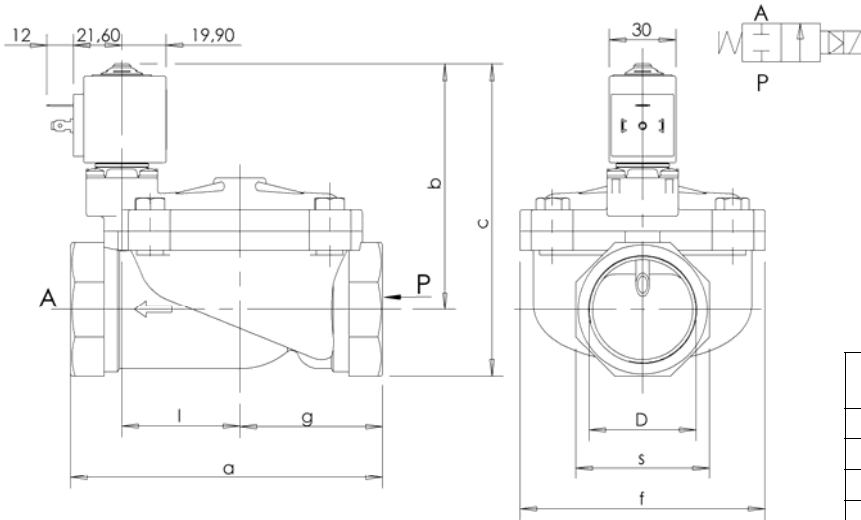




SOLENOID VALVE
2/2 - NC (Normally closed)
Pilot operated
G1 ¼ ÷ 2

L180
G 1" ¼ ÷ 2"



Without manual override								With manual override	
D	a	b	c	f	g	l	s	b	c
G 1 ¼	113	107	133	81	50	40	52	130	156
G 1 ½	140	110	140	110	60	53	60	133	163
G 2	157	115	151	110	72	53	72	138	174

► GENERAL FEATURES

Diaphragm valve, pilot operated, having full orifice.
 Suitable to shut off liquid and gaseous fluids (verify the compatibility of fluid with materials in contact).
 Not suitable for use with dangerous fluids listed in Group 1, therefore they are free from CE marking in conformity with article 3 § 3 of the European Directive 97/23/EC (Pressure Equipment Directive).

► MATERIALS IN CONTACT WITH FLUID

Body Brass
Sealing Diaphragm: NBR or FPM / Actuator: FPM
Internal components Brass and stainless steel
Seat Brass
Guide assembly Stainless steel
Shading ring Copper

► TECHNICAL FEATURES

Maximum allowable pressure (PS) 15 bar
Opening time from ~300ms to ~1500ms
Closing time from ~1000ms to ~2000ms
Fluid temperature -10°C +90°C (NBR)
 0°C +130°C (FPM)
Max viscosity 5°E (~37 cStokes or mm²/s)

► COIL

Continuous duty ED 100%
Encapsulation material PET (polyethylene terephthalate) fiberglass reinforced
Coil insulation class F (155 °C) on request class H (180°C) - UL
Ambient temperature -10 C° +50 °C
Electric connenctions DIN 46340- 3 poles connectors (DIN 43650)
Protection degree IP 65 (EN 60529) with plug connector
Voltages DC 12-24V (+10% -5%)
 AC 24V/50Hz - 110V/50Hz (120V/60Hz) - 230V/50Hz (+10% -15%)
 (Other voltages and frequencies on request).

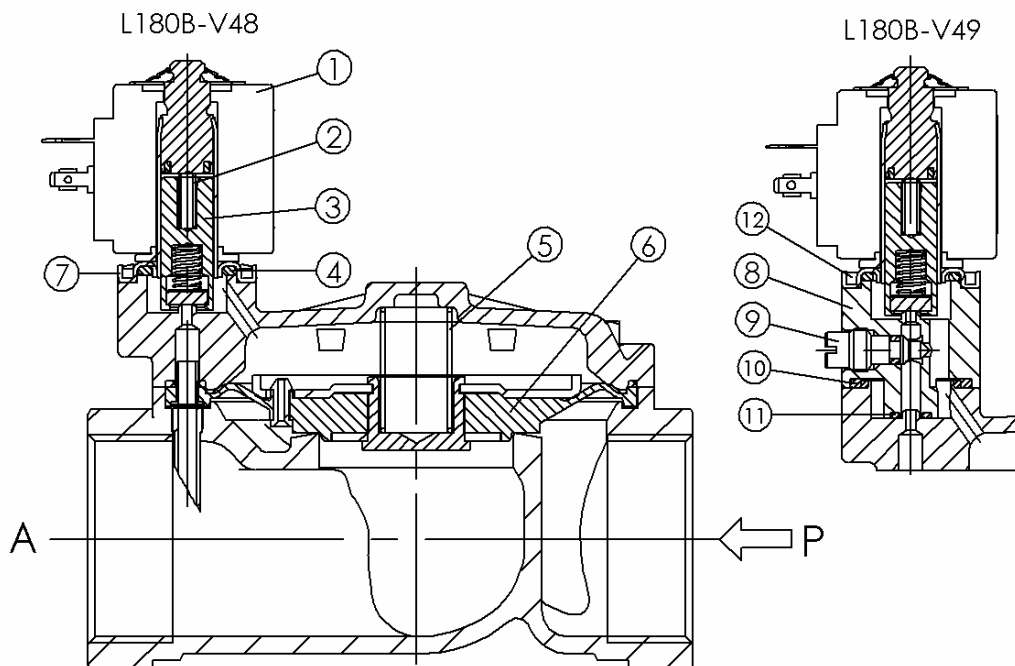
Port size ISO 228	Orifice size. (mm)	Differential pressure (bar)				Kv (m ³ /h)	Series and type			Power absorption			Sealings	Notes	Weight (kg)			
		Δp min	Δp max		Valve		Valve with manual override	Coil	AC (VA)		DC (W)							
			Gases	Liquids					Inrush	Holding								
G 1 ¼	30	0,50	10	10	10	15	L180B48	L180B49	ZA30A	23	14	9	NBR (diaphragm) FPM (actuator)	1	1,640			
G 1 ½	45														2,600			
G 2	45														3,020			
G 1 ¼	30						15	L180V48							L180V49	27	1,640	
G 1 ½	45																	2,600
G 2	45																	3,020

► NOTES

- Sealings : NBR = Nitrile-butylene elastomer FPM = Fluoro-carbon elastomer
 - Operation with gaseous fluids at high pressure without any outlet restriction, can reduce the diaphragm life.
 1 - L180B49 and L180V49: weight increased of 0,180Kg.

L180 G 1" ¼ ÷ 2"

► SPARE PARTS



Kit description

Core kit

Kit P.N.

G3108702

Consisting of:

Core pos. 3
Core return spring pos. 2
OR guide assembly pos. 4

Core return spring kit

G3111101

N.10 core return spring pos. 2

Spring on diaphragm kit

G 1 ¼
G1 ½ - 2

G2401101
G2401501

N.10 spring on diaphragm pos. 5

OR guide assembly kit

L180B..
L180V..

GU2421000053
GU2424000053

N.10 OR guide assembly pos. 4

Diaphragm kit

G 1 ¼	L180B..	2400801R
G1 ½ - 2	L180B..	2401301R
G 1 ¼	L180V..	2400802R
G1 ½ - 2	L180V..	2401302R

2400801R
2401301R
2400802R
2401302R

Diaphragm assembly pos. 6

Manual override group

G3108802

Body pos.8
Pin group pos. 9
Intermediate OR pos. 10
Lower OR pos. 11
N.4 fixing screw pos. 12

Guide assembly

3092201R

Guide assembly pos. 7

Coil

ZA30A

Coil pos. 1

► MOUNTING

Solenoid valve can be mounted in any position; vertical with coil upwards preferred.