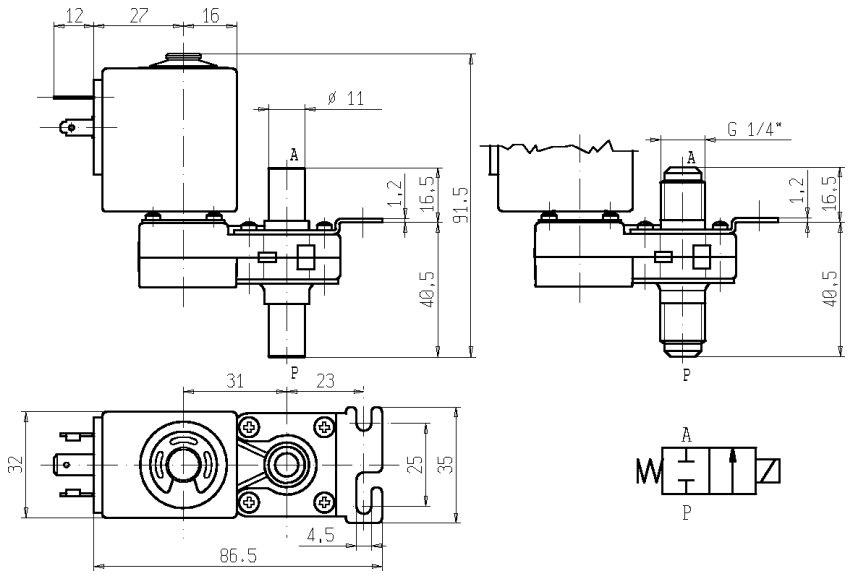




SOLENOID VALVE - DRY
2/2 - NC (Normally closed)
Direct acting - Total isolation
G 1/4 – Barbed port

D144



► GENERAL FEATURES

Direct acting, total isolation solenoid valve: the actuator is totally isolated from the fluid so that the wetted parts are just the body and the lever-seal.

Possibility of disassembling for inspection.

Core duly coated by PTFE (polytetrafluoroethylene) based self lubricating material.

Suitable to shut off liquid and gaseous fluids (verify the compatibility of fluid with materials in contact).

► TECHNICAL FEATURES

Maximum allowable pressure (PS)	12 bar
Opening time	~ 25ms
Closing time	~ 25ms
Fluid temperature	-10°C +100°C
Max viscosity	5°E (~37 cStokes o mm ² /s)

► MATERIALS IN CONTACT WITH FLUID

Body	PEI (Polyetherimide)
Sealing	SBR or EPDM or FPM or VMQ

► COIL

Continuous duty	ED 100%
Encapsulation material	PET (polyethylene terephthalate) fiberglass reinforced
Insulation class	F (140°C)
Ambient temperature	-10 °C +60 °C
Electric connections	DIN 46340 - 3 poles connector (DIN 43650)
Protection degree	IP 65 (EN 60529) with plug connector
Voltages DC	12-24V (+10% -5%)
AC	24V/50Hz - 110V/50Hz (120V/60Hz) – 230V/50Hz (+10% -15%)
	(Other voltages and frequencies on request)

Port size G = ISO 228	Orifice size (mm)	Differential pressure (bar)				Kv (m ³ /h)	Series and type		Power absorption			Sealings	Notes	Weight (kg)		
		Δp min	Δp max		Valve		Coil	AC (VA)		DC (W)						
			Gases	Liquids				Inrush	Holding							
			AC	DC	AC	DC										
Barbed port	5,5	0	4,5	1	4,5	1	0,55	D144A3	Z530A	23	14	9	SBR	1	0,255	
								D144D3					EPDM			
								D144V3					FPM			-
								D144S3					VMQ			
G 1/4	3,2	0	10	2,4	10	2,4	0,32	D144A4	Z530A	23	14	9	SBR	1	0,255	
								D144D4					EPDM			
								D144V4					FPM			
								D144S4					VMQ			
	5,5	0	0,55	4,5	1	4,5	1	D144A4					SBR	-		
								D144D4					EPDM			
								D144V4					FPM			
								D144S4					VMQ			

► NOTES

- Sealings: EPDM = Ethylene-propylene elastomer VMQ = Silicone elastomer FPM = Fluoro-carbon elastomer. SBR = Styrol butadiene elastomer
 - On request and depending on quantities:

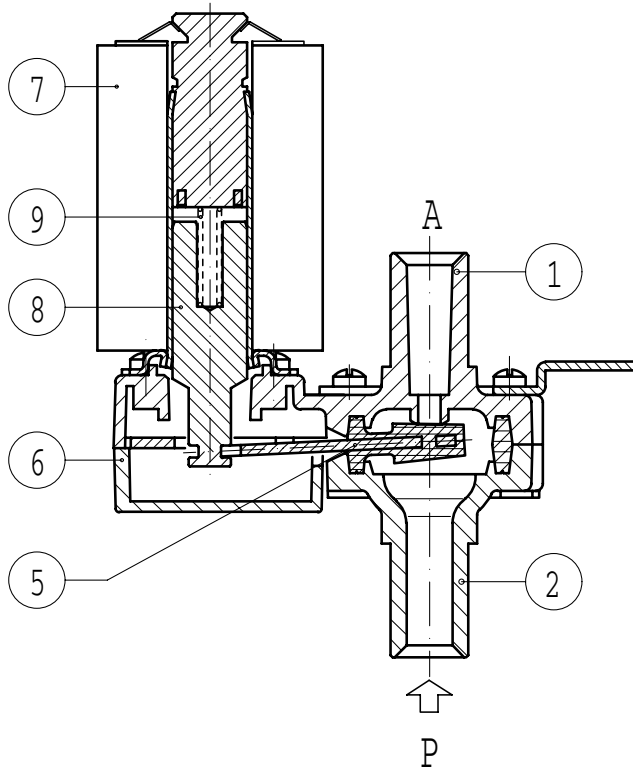
- silent execution (only for DC see the corresponding data sheet)
- body in fiberglass reinforced (30%) PPOm (modified polyphenil oxide), recommended for strong basic solutions (pH≥10).

1 – Model available on request only: ask for minimum quantity.

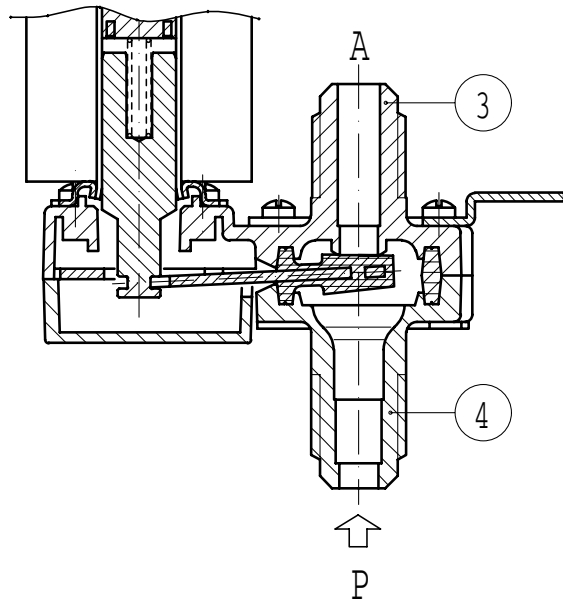
D144

► SPARE PARTS

D144A-D-S-V3



D144A-D-S-V4



Kit description

Kit P.N.

Consisting of:

Body kit	D144A3-D3-S3-V3	G2846402	Upper body pos.1 Lower body pos.2
Body kit	D144A4-D4-S4-V4 Ø3,2 D144A4-D4-S4-V4 Ø5,5	G2846801 G2846802	Upper body pos.3 Lower body pos.4
Core kit		G2999201	Core pos.8 Core return spring pos.9
Lever seal kit	D144A3-A4 D144D3-D4 D144S3-S4 D144V3-V4	2977701R 2977703R 2977704R 2977702R	Lever seal kit pos. 5
Cover		3119801R	Cover pos. 6
Coil		Z530A	Coil pos. 7

► INSTALLATION

- In case of disassembling, for usual maintenance, the fixing screws have to be tightened at 0,6 Nm max torque.
- Solenoid valve can be mounted in any position; vertical with coil upwards preferred.
- Maximum driving torque of the pipe fittings for thread connections = 10Nm.