



www.everyvalve.com

3 Way GRPP Ball Valve



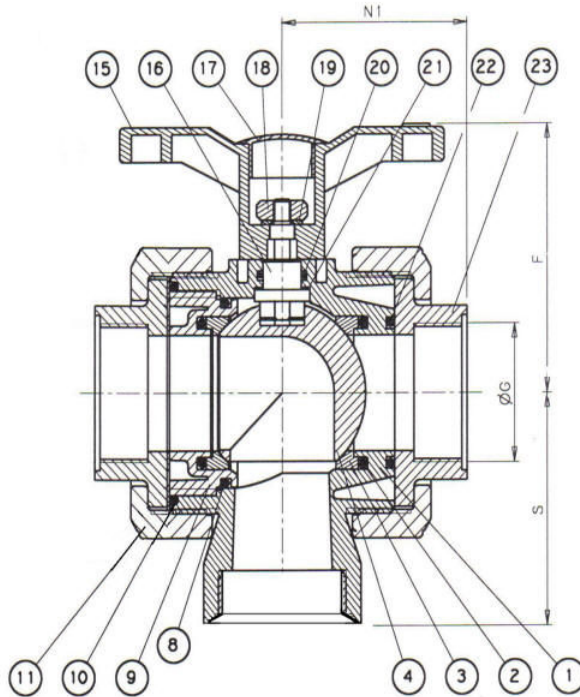
Sales@everyvalve.com

Everyvalve

1" TO 2" - DN25 TO DN50
3 WAY BALL VALVES UNION SERIES
GRPP PN10

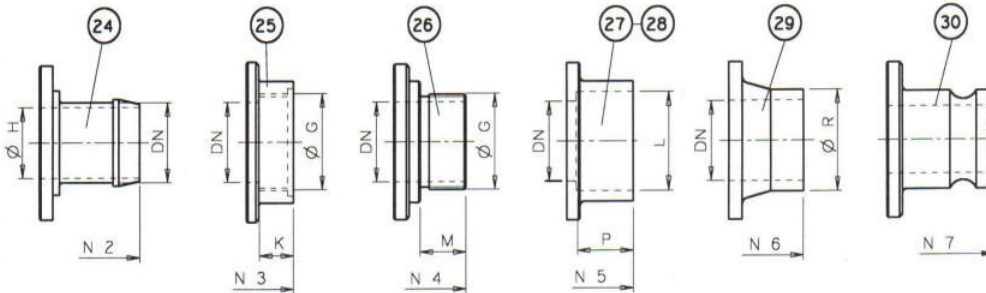
3007

23 01 97



Item	No	Description	Material
1	1	Body	GRPP
2	2	O ring	EP/FPM
3	2	Seat	PTFE
4	1	Ball plug	PP
5	1	Threaded adaptor	PPFV
6	2	O ring	EP/FPM
7	1	Flange	PPFV
8	1	O ring	EP/FPM
9	1	Adjusting nut	GRPP
10	1	O ring	EP/FPM
11	2	Body nut	GRPP
12	1	Left hand bush	GRPP
13	1	O ring	EP/FPM
14	1	Flange	GRPP
15	1	Handle	GRPP
16	1	Spindle	GRPP
17	1	Cap	PE
18	1	Hu M8 nut	SS 304
19	1	L8 washer	SS 304
20	1	O ring	EP/FPM
21	1	Washer	PTFE
22	1	O ring	EP/FPM
23	1	BSP threaded socket	GRPP
24	1	Hose adaptor	GRPP
25	1	NPT threaded stub	GRPP
26	1	BSP threaded stub	PP
27	1	Plain socket for solvent weld	PVC/ABS
28	1	Plain socket for fusion weld	PP/PE
29	1	Stub for butt weld	PP/PE
30	1	Kamlock adaptor	GRPP

DN	Weight		Reference
	1	2	
25	0.67	0.47	2003-02
32	0.86	0.75	2003-03
40	1.34	0.95	2003-04
50	1.63	1.13	2003-05



DN	ØB			ØC			E	F	G	H	K	L	M	N	N1	N2	N3	N4	N5	N6	N7	P	R	S	T		
	A	DIN	ASA	BS	DIN	ASA																				BS	
25	115	85	79.5	82	14	16	14	16	78	1"	BSP	16	23	32	32	80	68	106	68	88	65	90	86	22	32	70	103
32	140	100	89	87.3	18	16	14	18	83	1 1/4"	BSP	24	24	40.3	32	90	74	109.5	74	91.5	75	95	112	26	40	76	115
40	150	110	98.4	98.4	18	16	14	18	89	1 1/2"	BSP	34	24	50.3	32	100	82	115.5	82	97.5	86	100	118	31	50	90	136
50	165	125	120.6	114.3	18	19	18	20	95	2"	BSP	44	22	63.3	31	115	86	119	86	101	96.5	103	120	37.5	63	100	158

Working temperature -10°C to +100°C
Pressure rating 10 bars at 20°C

Flanges with metal inserts are available if required.

If the above valves are to be used in an ambient temperature of less than -5°C with FPM seals, insulation should be provided to avoid any change in the mechanical characteristics.

a policy of continuously developing its product range and the above data is subject to change without prior notification.