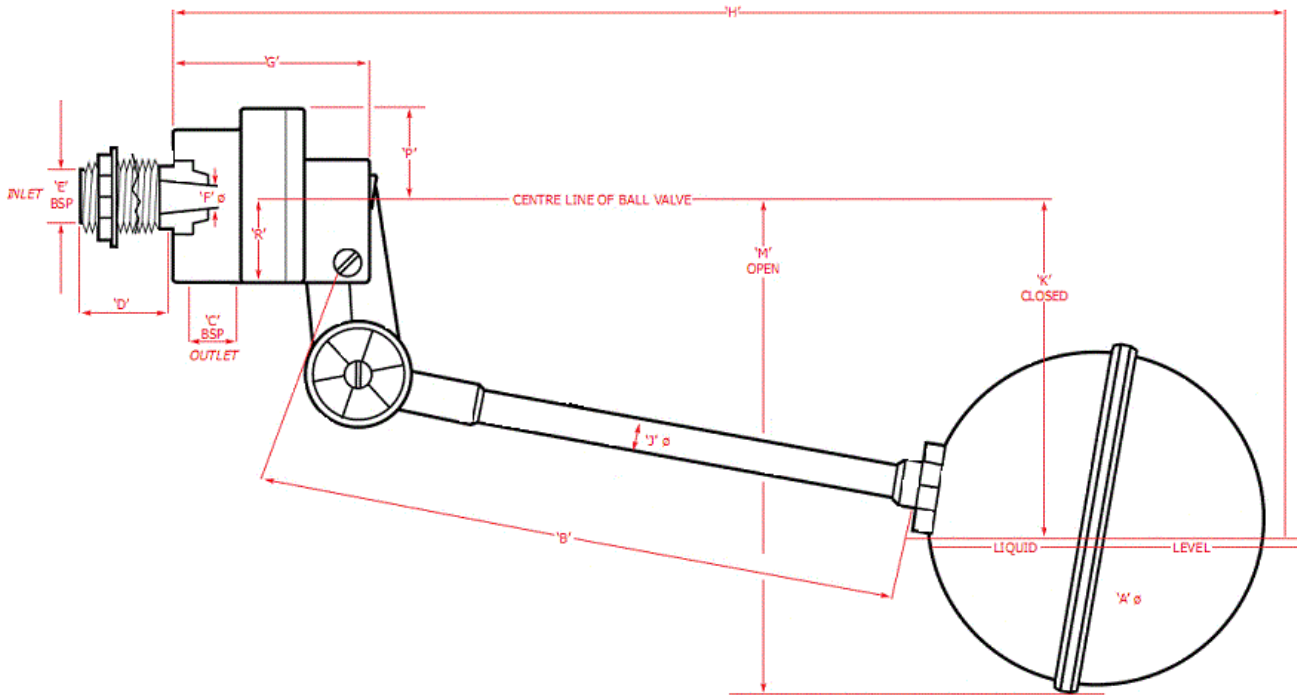




Everyvalve Ltd



| | | | |
|---|----------------------------|------------------------|---|
| Page 17 | 2010 | Telephone 01707-642018 | Data Sheet |
|  www.everyvalve.com | PP BALL FLOAT VALVE | |  Sales@everyvalve.com |



Dimensional data for adjustable cam

| Sizes | 1/2" STANDARD | 1/2" LARGE BORE | 1" STANDARD | 1" LARGE BORE | 1 1/2" STANDARD | 1 1/2" LARGE BORE | |
|-------|---------------|-----------------|-------------|---------------|-----------------|-------------------|-----|
| A | 5" | 5" | 7" | 7" | 9" | 9" | |
| B | 177.8 | 177.8 | 368.3 | 368.3 | 381 | 381 | |
| C | 3/8" BSP | 3/8" BSP | 1" BSP | 1" BSP | 1 1/4" BSP | 1 1/4" BSP | |
| D | 31.75 | 31.75 | 57.1 | 57.1 | 60.3 | 60.3 | |
| E | 1/2" BSP | 1/2" BSP | 1" BSP | 1" BSP | 1 1/2" BSP | 1 1/2" BSP | |
| F | 6.3 | 9.5 | 14.3 | 20.6 | 22.2 | 31.75 | |
| G | 63.5 | 63.5 | 111.1 | 111.1 | 136.5 | 136.5 | |
| H | 1 | 400 | 395 | 695 | 695 | 790 | 790 |
| | 2 | 395 | 385 | 685 | 680 | 780 | 775 |
| | 3 | 385 | 365 | 650 | 650 | 750 | 745 |
| | 4 | 365 | 350 | 610 | 605 | 715 | 700 |
| | 5 | 345 | 320 | 550 | 545 | 655 | 645 |
| J | 12.7 | 12.7 | 19 | 19 | 19 | 19 | |
| K | 1 | 60 | 80 | 130 | 140 | 130 | 140 |
| | 2 | 92 | 130 | 200 | 215 | 170 | 210 |
| | 3 | 130 | 162 | 270 | 290 | 255 | 305 |
| | 4 | 175 | 190 | 340 | 350 | 325 | 375 |
| | 5 | 205 | 228 | 400 | 410 | 400 | 425 |
| M | 1 | 210 | 210 | 470 | 470 | 536 | 536 |
| | 2 | 245 | 245 | 530 | 530 | 585 | 585 |
| | 3 | 275 | 275 | 580 | 580 | 645 | 645 |
| | 4 | 310 | 310 | 615 | 615 | 690 | 690 |
| | 5 | 330 | 330 | 645 | 645 | 750 | 750 |
| P | 25.4 | 25.4 | 51 | 51 | 60.3 | 60.3 | |
| R | 25.4 | 25.4 | 51 | 51 | 62.5 | 62.5 | |

Flow rate per minute constant in gallons and litres

| Pressure | | 1/2" STANDARD | | 1/2" LARGE BORE | | 1" STANDARD | | 1" LARGE BORE | | 1 1/2" STANDARD | | 1 1/2" LARGE BORE | |
|----------|-------|-----------------------|--------|-----------------------|--------|------------------------|--------|-------------------------|--------|-----------------------|--------|-------------------------|--------|
| | | ORIFICE 1/4" DIAMETER | | ORIFICE 3/8" DIAMETER | | ORIFICE 9/16" DIAMETER | | ORIFICE 13/16" DIAMETER | | ORIFICE 7/8" DIAMETER | | ORIFICE 1 1/4" DIAMETER | |
| P.S.I. | BAR | Gallons | Litres | Gallons | Litres | Gallons | Litres | Gallons | Litres | Gallons | Litres | Gallons | Litres |
| 5 | 0.35 | 2.0 | 9.3 | 4.6 | 20.9 | 10.0 | 45.5 | 20.9 | 94.8 | 16.0 | 72.7 | 32.5 | 147.6 |
| 10 | 0.70 | 2.9 | 13.1 | 6.5 | 29.6 | 14.1 | 64.1 | 29.5 | 134.0 | 22.5 | 102.3 | 46.4 | 211.0 |
| 14.28 | 1.00 | 3.5 | 15.7 | 7.8 | 35.3 | 16.9 | 76.8 | 35.2 | 160.2 | 26.9 | 122.2 | 55.5 | 252.2 |
| 15 | 1.05 | 3.5 | 16.0 | 8.0 | 36.2 | 17.3 | 78.6 | 36.1 | 164.2 | 27.5 | 125.0 | 56.9 | 258.4 |
| 20 | 1.40 | 4.1 | 18.5 | 9.2 | 41.8 | 20.0 | 90.1 | 41.7 | 189.6 | 32.0 | 145.5 | 65.6 | 298.4 |
| 25 | 1.75 | 4.6 | 20.7 | 10.3 | 46.7 | 22.3 | 101.1 | 46.6 | 211.9 | 35.6 | 162.0 | 73.4 | 333.7 |
| 28.57 | 2.00 | 4.9 | 22.2 | 11.0 | 49.9 | 23.9 | 108.6 | 49.8 | 226.6 | 38.0 | 172.9 | 78.5 | 356.7 |
| 30 | 2.10 | 5.0 | 22.7 | 11.3 | 51.1 | 24.5 | 111.4 | 51.1 | 232.2 | 39.0 | 177.0 | 80.4 | 365.5 |
| 35 | 2.45 | 5.4 | 24.5 | 12.2 | 55.3 | 26.5 | 120.5 | 55.2 | 250.8 | 42.0 | 191.0 | 86.8 | 394.8 |
| 40 | 2.80 | 5.8 | 26.4 | 13.0 | 59.1 | 28.3 | 128.4 | 59.0 | 268.1 | 45.0 | 205.0 | 92.8 | 422.0 |
| 42.86 | 3.00 | 6.0 | 27.2 | 13.5 | 61.1 | 29.3 | 133.0 | 61.0 | 277.5 | 46.6 | 211.7 | 96.1 | 436.9 |
| 45 | 3.15 | 6.1 | 27.8 | 13.8 | 62.6 | 30.0 | 136.4 | 62.5 | 284.3 | 47.7 | 217.0 | 98.5 | 447.6 |
| 50 | 3.50 | 6.5 | 29.5 | 14.5 | 66.1 | 31.5 | 143.2 | 65.9 | 299.7 | 50.0 | 227.0 | 103.8 | 471.9 |
| 55 | 3.85 | 6.8 | 30.8 | 15.2 | 69.3 | 33.1 | 150.5 | | | 52.8 | 240.0 | | |
| 57.14 | 4.00 | 6.9 | 31.4 | 15.5 | 70.6 | 33.8 | 153.6 | | | 53.8 | 244.5 | | |
| 60 | 4.20 | 7.1 | 32.1 | 15.9 | 72.4 | 34.5 | 156.8 | | | 55.0 | 250.0 | | |
| 65 | 4.55 | 7.4 | 33.4 | 16.6 | 75.3 | 36.0 | 163.6 | | | 57.3 | 260.0 | | |
| 70 | 4.90 | 7.6 | 34.7 | 17.2 | 78.1 | 37.4 | 170.0 | | | 59.5 | 270.0 | | |
| 71.43 | 5.00 | 7.7 | 35.1 | 17.4 | 79.0 | 37.8 | 171.7 | | | 60.1 | 273.3 | | |
| 75 | 5.25 | 7.9 | 35.9 | 17.8 | 81.2 | 38.7 | 175.9 | | | 61.6 | 280.0 | | |
| 80 | 5.60 | 8.2 | 37.2 | 18.4 | 83.6 | 40 | 181.8 | | | 63.5 | 289.0 | | |
| 85 | 5.95 | 8.4 | 38.2 | 19.0 | 86.1 | 41.2 | 187.3 | | | 65.5 | 298.0 | | |
| 85.74 | 6.00 | 8.5 | 38.4 | 19.1 | 86.5 | 41.4 | 188.1 | | | 65.9 | 299.4 | | |
| 90 | 6.30 | 8.7 | 39.3 | | | 42.3 | 192.0 | | | 67.5 | 307.0 | | |
| 95 | 6.65 | 8.9 | 40.4 | | | 43.5 | 197.7 | | | 69.3 | 315.0 | | |
| 100 | 7.00 | 9.1 | 41.4 | | | 45.0 | 204.0 | | | 71.0 | 322.0 | | |
| 125 | 8.75 | 10.2 | 46.4 | | | | | | | | | | |
| 150 | 10.50 | 11.2 | 50.9 | | | | | | | | | | |